

DATASHEET

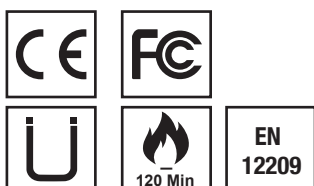
Ælement by SALTO

The Ælement EURO version is specially designed to fit on most Euro DIN 18250 profile doors. The minimalistic design of the RFID reader looks stylish and discreet on any door. It also offers the choice of a wide range of designer lever handles and finishes.

www.saltosystems.com

TECHNICAL SPECIFICATION: Ælement - EU (AExx)

SALTO
inspired access



TECHNICAL DATA:

Reader dimensions (W x H x D):	45,0 x 67,0 x 17,5 mm
Battery pack dimensions (W x H x D):	65,0 x 116,0 x 25,5 mm
Handle rotation:	30° (LE7Sx7 mortise lock) 30° (LE7E17 mortise lock)
Door thicknesses:	35mm - 125mm
Square spindles:	8mm split 9mm split (SALTO spindles required).
Power source:	3 alkaline batteries - LR03 - AAA 1,5V.
Number of openings:	50 000 MIFARE DESFire 45 000 Mobile keys
Temperature (without condensation):	0 °C / +60 °C.
IP class:	Not suitable for outdoor use.
Certifications:	CE, FCC/IC, RCM, EN1634 E120 ¹ EN1634 Ei60 ² EN12209 ²

¹ In combination with LE7Sx7 mortise lock

² In combination with LE7Ex7 mortise lock

ID TECHNOLOGIES:

MIFARE:*	•
BLE Smart:	•
NFC:	•
Legic:**	—
HID iClass®:	•
Picopass:	—
Hilton digital key	•
i-Button:	—

* MIFARE® (DESFire EV2, Plus, Ultralight C, Classic - ISO/IEC 14443).

** Legic Prime and Legic Advant

FINISHES:

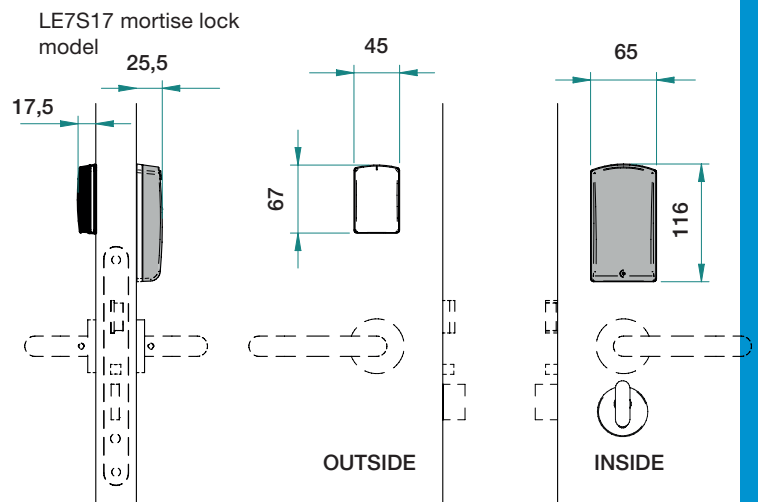
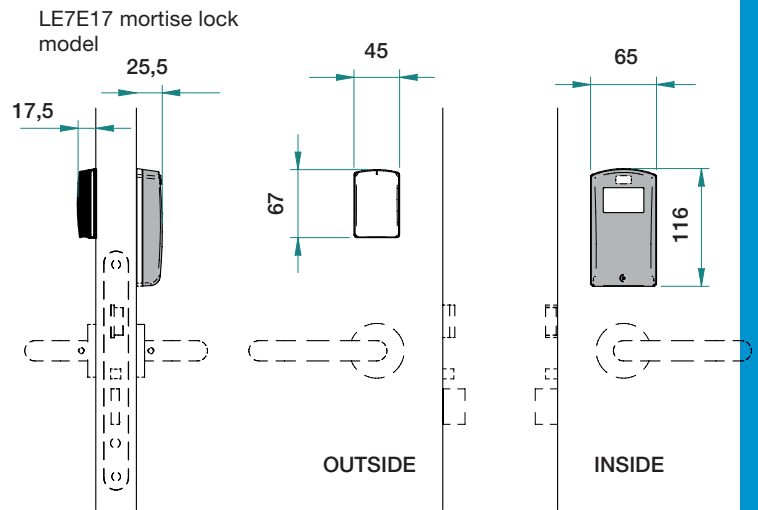
Reader colour:

Black:	•
White:	•

Finish:

IM Satin stainless steel:	• BHMA 630 / US 32D
IP Bright stainless steel:	• BHMA 625 / US 26
IA Antique brass:	• BHMA 735 / US 3
PP PVD bright brass type:	• BHMA 729 / US 4
PM PVD satin brass type:	• BHMA 730 / BHMA 731 / US4
NE Black chromium:	• BHMA 685
BC BioCote anti-microbial:	—

TECHNICAL DRAWING:



TECHNOLOGY PLATFORMS:

SALTO SPACE:

Smile - Selfprogrammable	—
ROM:	—
SVN data-on-card:	•
SALTO RFnet:	• *
SALTO BLUEnet:	• *

SALTO KS:

SALTO KS	—
----------	---

SALLIS:

SALLIS	• *
--------	-----

* Depending on the model

MECHANICAL DATA:

Handle block mechanism lock:	• ²
Handle clutch mechanism lock:	• ¹
Mechanical privacy:	• ¹
Electronic privacy:	• ²
Mechanical key override:	•
Compatible with EURO mortise lock standard.	• SALTO LE7S07 • SALTO LE7S17 • SALTO LE7E37
Reversible:	• ¹
Door Accessories:	• Door handles and accessories.
Retrofit cover plate:	– New construction wood and metal doors.
Emergency opening via contactless Portable Programming Device (PPD).	•

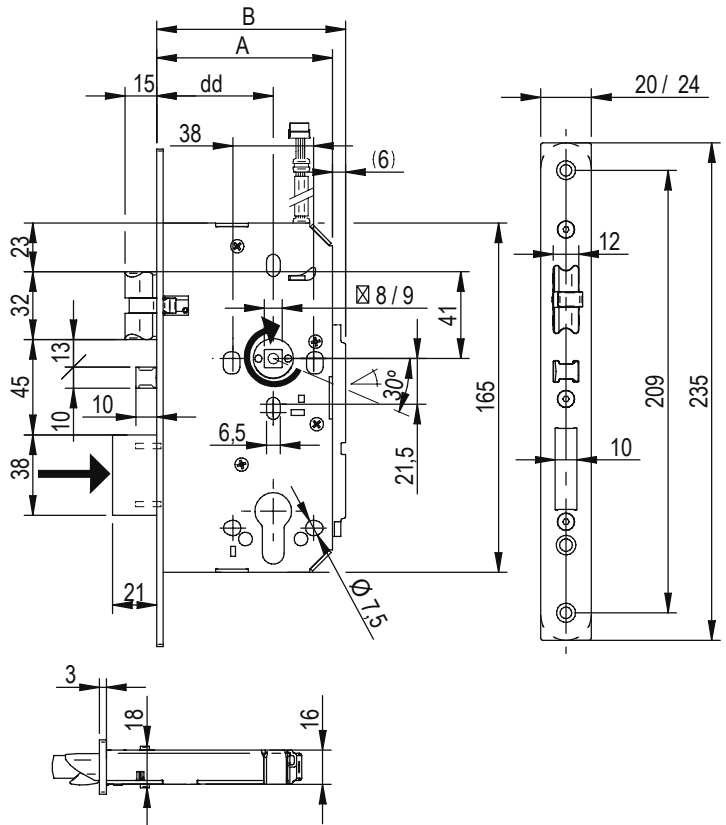
¹ In combination with LE7Sx7 mortise lock
² In combination with LE7Ex7 mortise lock

MORTISE LOCK (LE7S17):

Mortise lock type:	Non automatic deadbolt throw
Axe distance:	72 mm
Turning angle:	30°
Backset	55mm 65mm standard 60mm 70mm upon request
Squared spindles available:	8mm split and 9mm split.
Mechanical key override:	•
Front plate shape:	Round or square. Asymmetric front plate for rebated doors available
Front plate finish:	Satin stainless steel. Satin brass (PVD).
Handing:	L/R - Reversible.
Anti-panic safety function:	•
Auxiliary latch (anti card system)	•
Intelligent integrated detectors for deadbolt and door position to monitor the status of the door	•
Detection of intrusion alarms	•
Opened and closed status of doors through SALTO Wireless technology.	•
Integrated electronic privacy detector for door/room status real-time monitoring.	•
Fire certifications	EN1634 E120

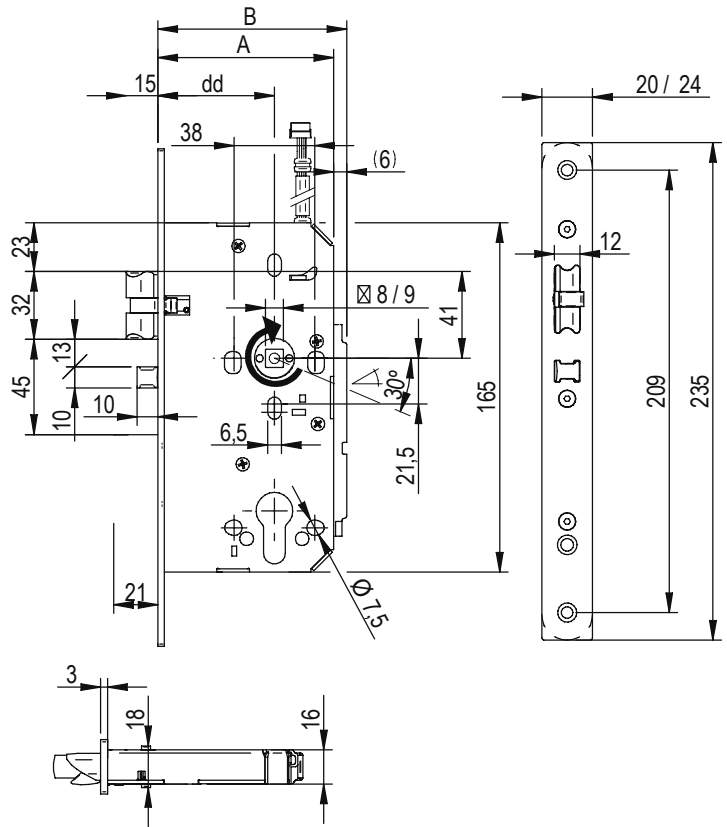
OPENING MODES:

Standard:	•
Office mode:	•
Timed office:	•
Automatic opening:	•
Toggle:	•
Timed Toggle:	•
Amok mode:	–
Exit leaves open mode:	•
Pin code / Keypad:	–



MORTISE LOCK (LE7S07):

Mortise lock type:	Non automatic deadbolt throw
Axe distance:	72 mm
Turning angle:	30°
Backset	55mm 65mm standard 60mm 70mm upon request
Squared spindles available:	8mm split and 9mm split.
Mechanical key override:	•
Front plate shape:	Round or square. Asymmetric front plate for rebated doors available
Front plate finish:	Satin stainless steel. Satin brass (PVD).
Handing:	L/R - Reversible.
Anti-panic safety function:	•
Auxiliary latch (anti card system)	•
Intelligent integrated detectors for deadbolt and door position to monitor the status of the door	—
Detection of intrusion alarms	—
Opened and closed status of doors through SALTO Wireless technology.	•
Integrated electronic privacy detector for door/room status real-time monitoring.	•
Fire certifications	EN1634 E120



MORTISE LOCK (LE7E37):

Mortise lock type:	Automatic deadbolt throw
Axe distance:	72 mm
Turning angle:	30°
Backset	55mm 65mm standard
Squared spindles available:	8mm split and 9mm split.
Mechanical key override:	•
Front plate shape:	Round or square.
Front plate finish:	Satin stainless steel. Satin brass.
Handing:	L or R - Not reversible.
Anti-panic safety function:	•
Auxiliary latch (anti card system)	•
Intelligent integrated detectors for deadbolt and door position to monitor the status of the door	—
Detection of intrusion alarms	—
Opened and closed status of doors through SALTO Wireless technology.	—
Integrated electronic privacy detector for door/room status real-time monitoring.	•
Certifications:	EN1634 EI60 EN 12209 compliant.

