

Bartholomew

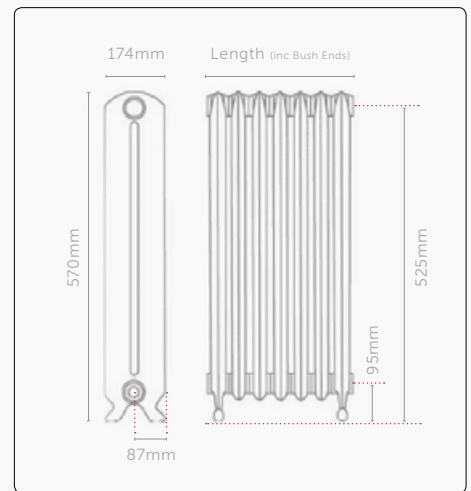
The Bartholomew classic cast iron radiator. An old hospital radiator was the inspiration for the simple, versatile yet timeless classic – the Bartholomew. The Bartholomew is a timeless, classic cast iron radiator, whose design was originally used in hospitals in the Victorian era. The elegant, simple lines of the Bartholomew, named after the famous London hospital, lend themselves to suit both modern and period homes. The simplicity of the Bartholomew enables many custom finish options, to transform the clean, smooth lines of this radiator into a delightfully stylish feature, for any room.

HEIGHT (Please select your required height to view heat output and specifications)

570 740



CODE	SECTIONS	LENGTH	OUTPUT		WEIGHT (KG)	WATER CONTENT (LTRs)
			75 / 65 / 20 BTUs	WATTS		
BART-570-03	3	249	1131	331	21.12	5.10
BART-570-04	4	320	1508	442	28.16	6.80
BART-570-05	5	392	1885	552	35.20	8.50
BART-570-06	6	463	2262	663	42.24	10.20
BART-570-07	7	535	2639	773	49.28	11.90
BART-570-08	8	606	3016	884	56.32	13.60
BART-570-09	9	678	3393	994	63.36	15.30
BART-570-10	10	749	3770	1105	70.40	17.00
BART-570-11	11	821	4147	1215	77.44	18.70
BART-570-12	12	892	4524	1326	84.48	20.40
BART-570-13	13	964	4901	1436	91.52	22.10
BART-570-14	14	1035	5278	1547	98.56	23.80
BART-570-15	15	1107	5655	1657	105.60	25.50
BART-570-16	16	1178	6032	1768	112.64	27.20
BART-570-17	17	1250	6409	1878	119.68	28.90
BART-570-18	18	1321	6786	1989	126.72	30.60
BART-570-19	19	1393	7163	2099	133.76	32.30
BART-570-20	20	1464	7540	2210	140.80	34.00
BART-570-21	21	1536	7917	2320	147.84	35.70
BART-570-22	22	1607	8294	2431	154.88	37.40
BART-570-23	23	1679	8671	2541	161.92	39.10
BART-570-24	24	1750	9048	2652	168.96	40.80
BART-570-25	25	1822	9425	2762	176.00	42.50
BART-570-26	26	1893	9802	2873	183.04	44.20
BART-570-27	27	1965	10179	2983	190.08	45.90
BART-570-28	28	2036	10556	3094	197.12	47.60
BART-570-29	29	2108	10933	3204	204.16	49.30
BART-570-30	30	2179	11310	3315	211.20	51.00
BART-570-31	31	2251	11687	3425	218.24	52.70
BART-570-32	32	2322	12064	3536	225.28	54.40
BART-570-33	33	2394	12441	3646	232.32	56.10
BART-570-34	34	2465	12818	3757	239.36	57.80
BART-570-35	35	2537	13195	3867	246.40	59.50
BART-570-36	36	2608	13572	3978	253.44	61.20
BART-570-37	37	2680	13949	4088	260.48	62.90
BART-570-38	38	2751	14326	4199	267.52	64.60
BART-570-39	39	2823	14703	4309	274.56	66.30
BART-570-40	40	2894	15080	4420	281.60	68.00



7cbHUMci f' gWbXbUj]Ub Xlgh Vtrc.f.'

sales@agentur-huset.com

www.agentur-huset.com

5[Ybh fNi gh56 ; Ufb]gcbg] UHb % Q!& (** < Ygb] Vcf[

Maximum test pressure = 3.3 bar | Maximum working pressure = 2.5 bar

Lengths quoted are given in good faith. However, due to the nature of the manufacturing process tolerances can and should be expected. Quoted dimensions should therefore only be used as a guideline. Longer lengths are available on request.

Bartholomew

The Bartholomew classic cast iron radiator. An old hospital radiator was the inspiration for the simple, versatile yet timeless classic – the Bartholomew. The Bartholomew is a timeless, classic cast iron radiator, whose design was originally used in hospitals in the Victorian era. The elegant, simple lines of the Bartholomew, named after the famous London hospital, lend themselves to suit both modern and period homes. The simplicity of the Bartholomew enables many custom finish options, to transform the clean, smooth lines of this radiator into a delightfully stylish feature, for any room.

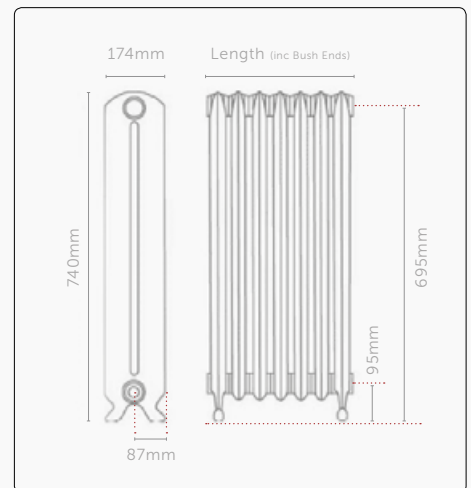
HEIGHT (Please select your required height to view heat output and specifications)

570 **740**

CODE	SECTIONS	LENGTH	OUTPUT		WEIGHT (KG)	WATER CONTENT (LTRs)
			75 / 65 / 20 BTUs	WATTS		
BART-740-03	3	249	1677	492	28.98	6.30
BART-740-04	4	320	2236	655	38.64	8.40
BART-740-05	5	392	2795	819	48.30	10.50
BART-740-06	6	463	3354	983	57.96	12.60
BART-740-07	7	535	3913	1147	67.62	14.70
BART-740-08	8	606	4472	1311	77.28	16.80
BART-740-09	9	678	5031	1475	86.94	18.90
BART-740-10	10	749	5590	1638	96.60	21.00
BART-740-11	11	821	6149	1802	106.26	23.10
BART-740-12	12	892	6708	1966	115.92	25.20
BART-740-13	13	964	7267	2130	125.58	27.30
BART-740-14	14	1035	7826	2294	135.24	29.40
BART-740-15	15	1107	8385	2458	144.90	31.50
BART-740-16	16	1178	8944	2621	154.56	33.60
BART-740-17	17	1250	9503	2785	164.22	35.70
BART-740-18	18	1321	10062	2949	173.88	37.80
BART-740-19	19	1393	10621	3113	183.54	39.90
BART-740-20	20	1464	11180	3277	193.20	42.00
BART-740-21	21	1536	11739	3441	202.86	44.10
BART-740-22	22	1607	12298	3604	212.52	46.20
BART-740-23	23	1679	12857	3768	222.18	48.30
BART-740-24	24	1750	13416	3932	231.84	50.40
BART-740-25	25	1822	13975	4096	241.50	52.50
BART-740-26	26	1893	14534	4260	251.16	54.60
BART-740-27	27	1965	15093	4424	260.82	56.70
BART-740-28	28	2036	15652	4587	270.48	58.80
BART-740-29	29	2108	16211	4751	280.14	60.90
BART-740-30	30	2179	16770	4915	289.80	63.00
BART-740-31	31	2251	17329	5079	299.46	65.10
BART-740-32	32	2322	17888	5243	309.12	67.20
BART-740-33	33	2394	18447	5407	318.78	69.30
BART-740-34	34	2465	19006	5570	328.44	71.40
BART-740-35	35	2537	19565	5734	338.10	73.50
BART-740-36	36	2608	20124	5898	347.76	75.60
BART-740-37	37	2680	20683	6062	357.42	77.70
BART-740-38	38	2751	21242	6226	367.08	79.80
BART-740-39	39	2823	21801	6390	376.74	81.90
BART-740-40	40	2894	22360	6553	386.40	84.00

Maximum test pressure = 3.3 bar | Maximum working pressure = 2.5 bar

Lengths quoted are given in good faith. However, due to the nature of the manufacturing process tolerances can and should be expected. Quoted dimensions should therefore only be used as a guideline. Longer lengths are available on request.



Contact our
scandinavian distributor:

sales@agentur-huset.com

www.agentur-huset.com

Agenturhuset AB
Garnisonsgatan 13
SE-25466 Helsingborg