

Washer ISO 7089 HDG  
Size: M20

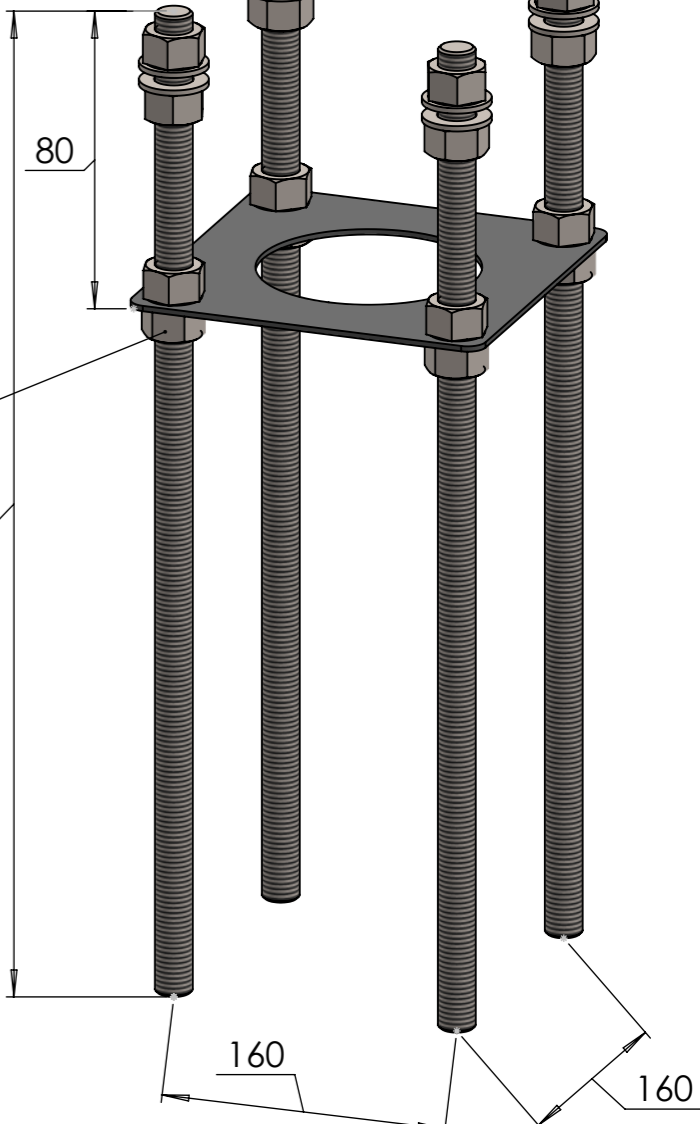
Nut ISO 4032-8 HDG  
Size: M20

Template Plate CCC160,  
Dimensions: (200x200)mm, t=3mm  
Plain, oiled.

Nut attached at 80mm  
from the top using Loctite

Nut ISO 4032-8 HDG  
Size: M20

Threaded Rod DIN 976 8.8 HDG  
Size: M20  
Length: 430mm



UNLESS OTHERWISE SPECIFIED:  
DIMENSIONS ARE IN MILLIMETERS

Address: Kampenesmosen 3,  
1739 Borgenhaugen  
Tel: +47 69102460  
E-mail: post@pretec.no  
Web: www.pretec.no

**PRETEC**  
Let's connect

PROJECT:				TITLE:	
CUSTOMER:				<b>Bolt group for steel foundation with template plate</b>	
SURFACE FINISH:					
MATERIAL:					
TOT.WEIGHT(kg):					
	NAME	SIGNATURE	DATE	DWG NO.	SHEET SIZE:
DRAWN	ERSA		16.12.2022		A3
CHK'D	TL		14.08.2023		
APPV'D				REVISION B	SHEET: 1 OF 1