



HCS[®] –
the HOPPE Compact System

For all HOPPE door and window handles ...



The HOPPE Compact System HCS®

The HOPPE Compact System – HCS® for short – is a compact lock and hardware system for the home and office. The special feature: it combines door fitting, lock and various closing and locking functions in a single, unique product.

The HCS® range offers a large choice for interior doors. Discover the wide selection of versions, materials and designs with a variety of finishes.

Give your interior doors a truly special feature with the unique HOPPE Compact System.



Solutions for wooden and glass doors

HCS® was developed by HOPPE and is internationally patented. The system can be used for all wooden doors and also offers suitable solutions for glass and partition doors.

Even glass doors with metal frames can be fitted with HCS® using an HCS® adapter in the same finish.

Installation

The individual HCS® components are quick to install. Likewise, door preparation is very simple – thanks to the detailed instructions and the special installation accessories from HOPPE.

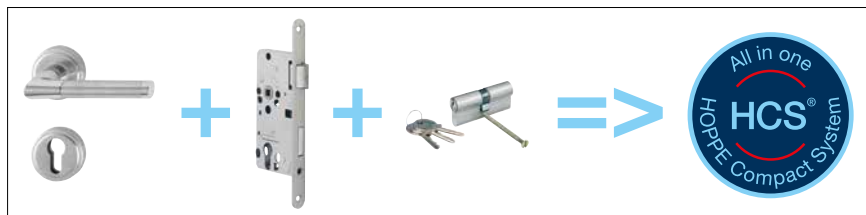
Ideal for renovations

If you already have doors with knob sets, it is easy and quick to replace them with HCS®.

With the HOPPE Compact System, opening and closing the door is significantly more convenient and gives the door a new, high-class look.



HCS[®] combines door fitting, lock and various closing and locking functions in a single, unique product:



HCS[®] consists of the following components:

- ① System core with integrated handle set (for flush or rebated doors)
- ② Latch set (bolt and tube)
- ③ Decorative rings (appropriate versions for different door thicknesses)
- ④ Clip-in components (for non-keyed and keyed locking)
- ⑤ Strike plates (for flush or rebated doors)



There are four HCS® versions:



- a HCS® passage:**
for doors which do not need to be locked.



- b HCS® with non-keyed locking (SK/OL-15):**
for doors which need to be locked such as bathrooms or toilets. Turn (OL-15) on the interior with emergency release (SK) on the exterior for emergency opening.



- c HCS® with keyed/nonkeyed locking (15/OL-15):**
for doors which need to be locked by key from the outside such as bedrooms or studies. Turn (OL-15) on the interior and cylinder (15) on the exterior.



- d HCS® with keyed locking (15/15):**
for doors which need to be locked. Cylinder on both interior and exterior sides.





HCS® for wooden doors

The HCS® handle designs for wooden doors are available in aluminium, nylon, brass and brass/stainless steel. They can be supplied in different finishes and designs.

The HOPPE Compact System is suitable for flush or rebated doors with the following door thicknesses:

- Flush doors 25–43 mm
- Rebated doors 38–43 mm



HCS® for glass and partition doors

Using the HCS® adapter, all HCS® handle designs made of aluminium and nylon can also be used on glass and partition doors. HCS® latch parts for the corresponding inactive door leaf (if present) are also available (HCS® latch part, see page 30).

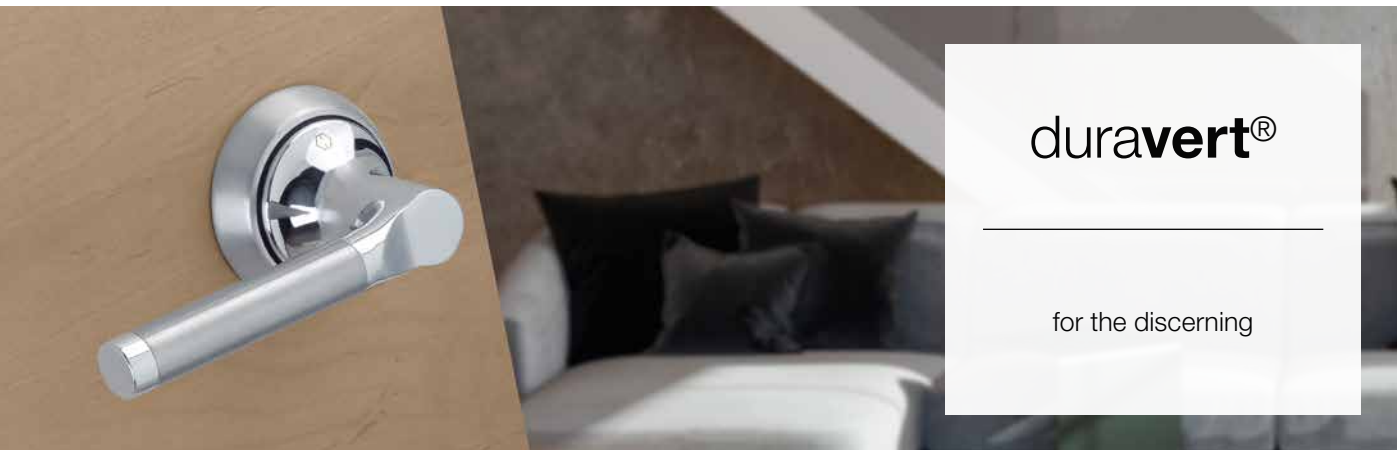
The HOPPE Compact System is suitable for glass doors with a glass thickness of 8–10 mm and for glass doors with aluminium frame with a glass thickness of 6–8 mm.

The product lines

HOPPE divides its HCS® range into two lines based on the customers' different requirements in price and perception of value – **duravert®** and **duraplus®**.

The purpose behind this is to enable you, our partners, to get a better overview of our product range and to make it easier for you to find the right handle of excellence.

Whatever the differences, all two product lines have one thing in common: the proverbial HOPPE quality.



HCS® range for timber doors

HOPPE® 
Handle of excellence.



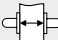


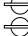


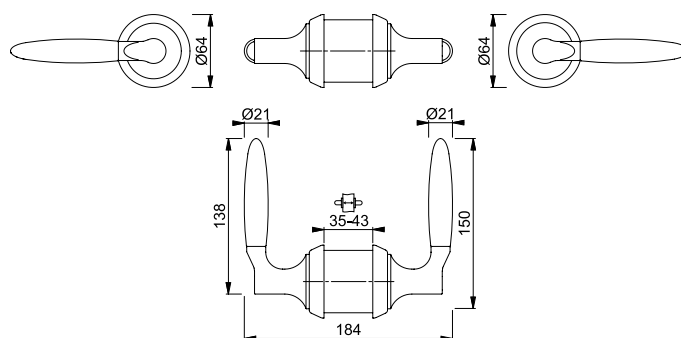
■ Athinai - HCS® M156S

HCS® with brass door handles for interior doors:

- Door type: for flush wood doors
- Version: standard
- System core: aluminium pressure die-casting
- Latch tube: brass with thread
- Latchbolt: glass fibre reinforced nylon, low-noise
- Decorative rings: stainless steel with threaded nylon insert
- Strike plate: none
- Fixing: via latch tube and decorative rings
- Special feature: combines door hardware and lock in a single system, door must be prepared accordingly



Description	Version	Door type		F49/F69	F77R/F52R			P.U.	O.C.
				Art. no.	Art. no.				
HCS®		Flush door	35-43	2571042	3054725			1	10
HCS®, non-keyed locking		Flush door	35-43	2571051				1	10
HCS®, keyed locking/ non-keyed locking		Flush door	35-43	2571069	3054768			1	10
HCS®, keyed locking		Flush door	35-43	2571077				1	10



The Resista® guarantee applies to all finishes with the letter **R** in the finish key.

Resista®

Latch sets for backset 50, 60, 70 and 80 mm can be found on page 38.

Strike plates can be found on page 108 and following pages.

Other decorative rings can be found on page 32 and following pages.



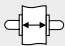

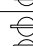
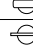
■ **Capri - HCS® M1950S**

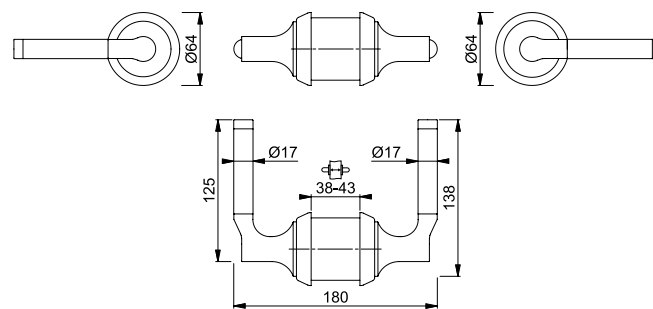
duravert®

HCS® with brass door handles for interior doors:

- Door type: for flush wood doors
- Version: standard
- System core: aluminium pressure die-casting
- Latch tube: brass with thread
- Latchbolt: glass fibre reinforced nylon, low-noise
- Decorative rings: stainless steel with threaded nylon insert
- Strike plate: none
- Fixing: via latch tube and decorative rings
- Special feature: combines door hardware and lock in a single system, door must be prepared accordingly



Description	Version	Door type		F41-R	F49/F69			P.U.	O.C.
				Art. no.	Art. no.				
HCS®		Flush door	35-43	10766763	2492416			1	10
HCS®, non-keyed locking		Flush door	35-43	10766683	2492491			1	10
HCS®, keyed locking/non-keyed locking		Flush door	35-43		2492521			1	10
HCS®, keyed locking		Flush door	35-43	10766683	2492555			1	10



The Resista® guarantee applies to all finishes with the letter **R** in the finish key.

Resista®

Latch sets for backset 50, 60, 70 and 80 mm can be found on page 38.

Strike plates can be found on page 108 and following pages.

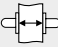




Other decorative rings can be found on page 32 and following pages.

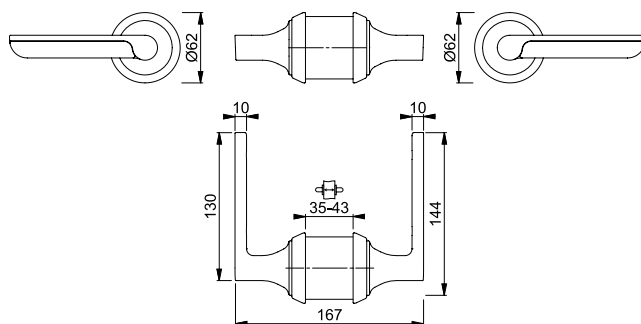


Perth - HCS® A1880

HCS® with aluminium door handles for interior doors:

- Door type: for flush wood doors
- Version: standard
- System core: aluminium pressure die-casting
- Latch tube: aluminium with thread
- Latchbolt: glass fibre reinforced nylon, low-noise
- Decorative rings: aluminium with thread
- Strike plate: none
- Fixing: via latch tube and decorative rings
- Special feature: combines door hardware and lock in a single system, door must be prepared accordingly

Description	Version	Door type		F1-2/F9-2				P.U.	O.C.
				Art. no.					
HCS®		Flush door	35-43	2537119				1	10
HCS®, non-keyed locking		Flush door	35-43	2537160				1	10
HCS®, non-keyed locking with red-green-indicator		Flush door	35-43	2537282				1	10
HCS®, keyed locking/non-keyed locking		Flush door	35-43	2537207				1	10
HCS®, keyed locking		Flush door	35-43	2537258				1	10



Latch sets for backset 50, 60, 70 and 80 mm can be found on page 38.

Strike plates can be found on page 108 and following pages.

Other decorative rings can be found on page 32 and following pages.

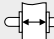





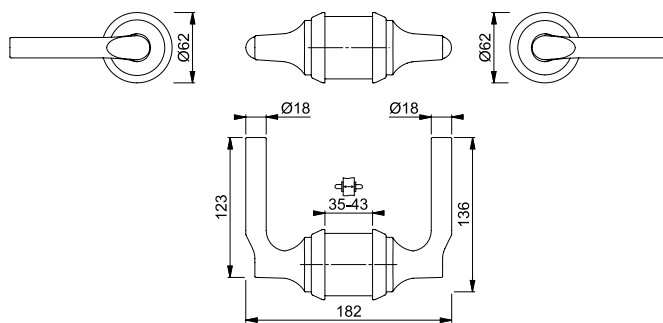
Arles - HCS® A197S

duraplus®

HCS® with aluminium door handles for interior doors:

- Door type: for flush wood doors
- Version: standard
- System core: aluminium pressure die-casting
- Latch tube: aluminium with thread
- Latchbolt: glass fibre reinforced nylon, low-noise
- Decorative rings: nylon with thread
- Strike plate: none
- Fixing: via latch tube and decorative rings
- Special feature: combines door hardware and lock in a single system, door must be prepared accordingly

Description	Version	Door type		F1-2	F9-2			P.U.	O.C.
				Art. no.	Art. no.				
HCS®		Flush door	35-43	2572248	2572264			1	10
HCS®, non-keyed locking		Flush door	35-43	2572336	2572395			1	10
HCS®, keyed locking/ non-keyed locking		Flush door	35-43	2572344	2572408			1	10
HCS®, keyed locking		Flush door	35-43	2572352	2572416			1	10



Latch sets for backset 50, 60, 70 and 80 mm can be found on page 38.

Strike plates can be found on page 108 and following pages.

Other decorative rings can be found on page 32 and following pages.

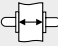


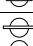


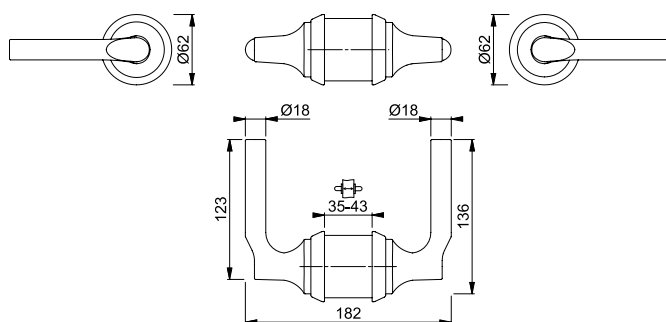
■ Arles - HCS® A197S

duraplus®

HCS® with aluminium door handles for interior doors:

- Door type: for flush wood doors
- Version: standard
- System core: aluminium pressure die-casting
- Latch tube: aluminium with thread
- Latchbolt: glass fibre reinforced nylon, low-noise
- Decorative rings: nylon with thread
- Strike plate: none
- Fixing: via latch tube and decorative rings
- Special feature: combines door hardware and lock in a single system, door must be prepared accordingly

Description	Ver-sion	Door type		F1-2	F9-2			P.U.	O.C.
				Art. no.	Art. no.				
HCS®		Flush door	35-43	2572248	2572264			1	10
HCS®, non-keyed locking		Flush door	35-43	2572336	2572395			1	10
HCS®, keyed locking/ non-keyed locking		Flush door	35-43	2572344	2572408			1	10
HCS®, keyed locking		Flush door	35-43	2572352	2572416			1	10



Latch sets for backset 50, 60, 70 and 80 mm can be found on page 38.

Strike plates can be found on page 108 and following pages.

Other decorative rings can be found on page 32 and following pages.

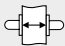

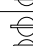
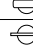


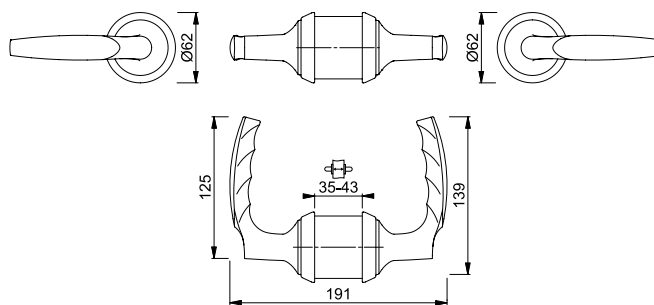
Atlanta - HCS® A1530

duraplus®

HCS® with aluminium door handles for interior doors:

- Door type: for flush wood doors
- Version: standard
- System core: aluminium pressure die-casting
- Latch tube: aluminium with thread
- Latchbolt: glass fibre reinforced nylon, low-noise
- Decorative rings: nylon with thread
- Strike plate: none
- Fixing: via latch tube and decorative rings
- Special feature: combines door hardware and lock in a single system, door must be prepared accordingly

Description	Version	Door type		F1-2	F9-2	F9714M	P.U.	O.C.
				Art. no.	Art. no.	Art. no.		
HCS®		Flush door	35-43	2475907	2573013	11782055	1	10
HCS®, non-keyed locking		Flush door	35-43	2573179	2573216		1	10
HCS®, keyed locking/ non-keyed locking		Flush door	35-43	2573232	2573275	3048624	1	10
HCS®, keyed locking		Flush door	35-43	2475958	2573312		1	10



Latch sets for backset 50, 60, 70 and 80 mm can be found on page 38.

Strike plates can be found on page 108 and following pages.

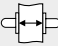


Other decorative rings can be found on page 32 and following pages.

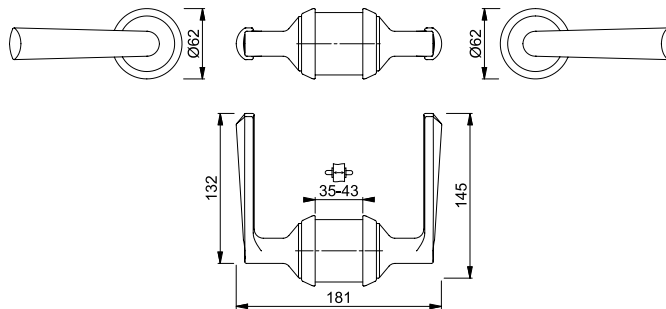


■ Groningen - HCS® A1885

HCS® with aluminium door handles for interior doors:

- Door type: for flush wood doors
- Version: standard
- System core: aluminium pressure die-casting
- Latch tube: aluminium with thread
- Latchbolt: glass fibre reinforced nylon, low-noise
- Decorative rings: aluminium with thread
- Strike plate: none
- Fixing: via latch tube and decorative rings
- Special feature: combines door hardware and lock in a single system, door must be prepared accordingly

Description	Version	Door type		F1-2	F9-2			P.U.	O.C.
				Art. no.	Art. no.				
HCS®		Flush door	35-43	2546947				1	10
HCS®, non-keyed locking		Flush door	35-43		2547051			1	10
HCS®, keyed locking/ non-keyed locking		Flush door	35-43	2547085				1	10



Latch sets for backset 50, 60, 70 and 80 mm can be found on page 38.

Strike plates can be found on page 108 and following pages.

Other decorative rings can be found on page 32 and following pages.

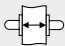

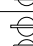
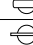


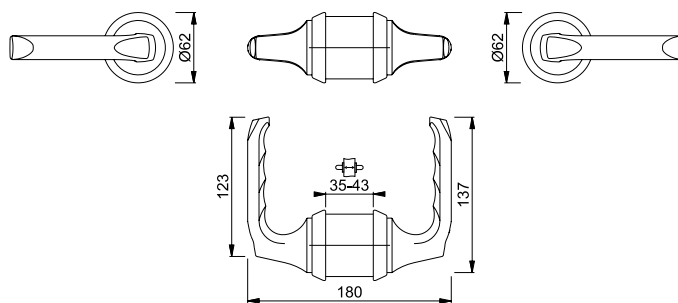
London - HCS® A113

duraplus®

HCS® with aluminium door handles for interior doors:

- Door type: for flush wood doors
- Version: standard
- System core: aluminium pressure die-casting
- Latch tube: aluminium with thread
- Latchbolt: glass fibre reinforced nylon, low-noise
- Decorative rings: nylon with thread
- Strike plate: none
- Fixing: via latch tube and decorative rings
- Special feature: combines door hardware and lock in a single system, door must be prepared accordingly

Description	Version	Door type		F1-2	F4-2			P.U.	O.C.
				Art. no.	Art. no.				
HCS®		Flush door	35-43	2572563				1	10
HCS®, non-keyed locking		Flush door	35-43	2572660				1	10
HCS®, keyed locking/ non-keyed locking		Flush door	35-43	2572723	2754631			1	10
HCS®, keyed locking		Flush door	35-43	2572782				1	10



Latch sets for backset 50, 60, 70 and 80 mm can be found on page 38.

Strike plates can be found on page 108 and following pages.

Other decorative rings can be found on page 32 and following pages.

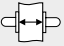


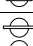


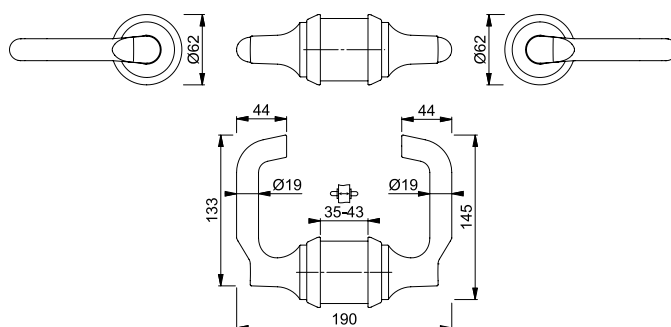
Paris - HCS® A138S

duraplus®

HCS® with aluminium door handles for interior doors:

- Door type: for flush wood doors
- Version: standard
- System core: aluminium pressure die-casting
- Latch tube: aluminium with thread
- Latchbolt: glass fibre reinforced nylon, low-noise
- Decorative rings: nylon with thread
- Strike plate: none
- Fixing: via latch tube and decorative rings
- Special feature: combines door hardware and lock in a single system, door must be prepared accordingly

Description	Version	Door type		F1-2	F9714M			P.U.	O.C.
				Art. no.	Art. no.				
HCS®		Flush door	35-43	2571940	11700646			1	10
HCS®, non-keyed locking		Flush door	35-43	2572002				1	10
HCS®, keyed locking/ non-keyed locking		Flush door	35-43	2572011				1	10
HCS®, keyed locking		Flush door	35-43	2572029	11776742			1	10



Latch sets for backset 50, 60, 70 and 80 mm can be found on page 38.

Strike plates can be found on page 108 and following pages.

Other decorative rings can be found on page 32 and following pages.

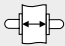

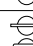
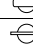


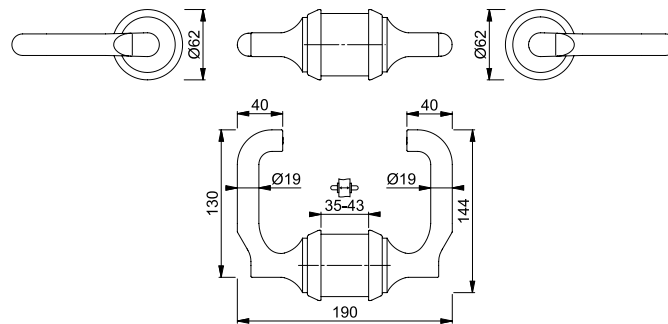
■ **Paris - HCS® K138S**

duraplus®

HCS® with nylon door handles for interior doors:

- Door type: for flush wood doors
- Version: standard
- System core: aluminium pressure die-casting
- Latch tube: aluminium with thread
- Latchbolt: glass fibre reinforced nylon, low-noise
- Decorative rings: nylon with thread
- Strike plate: none
- Fixing: via latch tube and decorative rings
- Special feature: combines door hardware and lock in a single system, door must be prepared accordingly

Description	Version	Door type		F7016M	F9005M	F9010M		P.U.	O.C.
				Art. no.	Art. no.	Art. no.			
HCS®		Flush door	35-43	2573523	2573507	2573515		1	10
HCS®, non-keyed locking		Flush door	35-43		2573611	2573671		1	10
HCS®, keyed locking/ non-keyed locking		Flush door	35-43		2573620	2573689		1	10
HCS®, keyed locking		Flush door	35-43	2573751	2573638	2573697		1	10

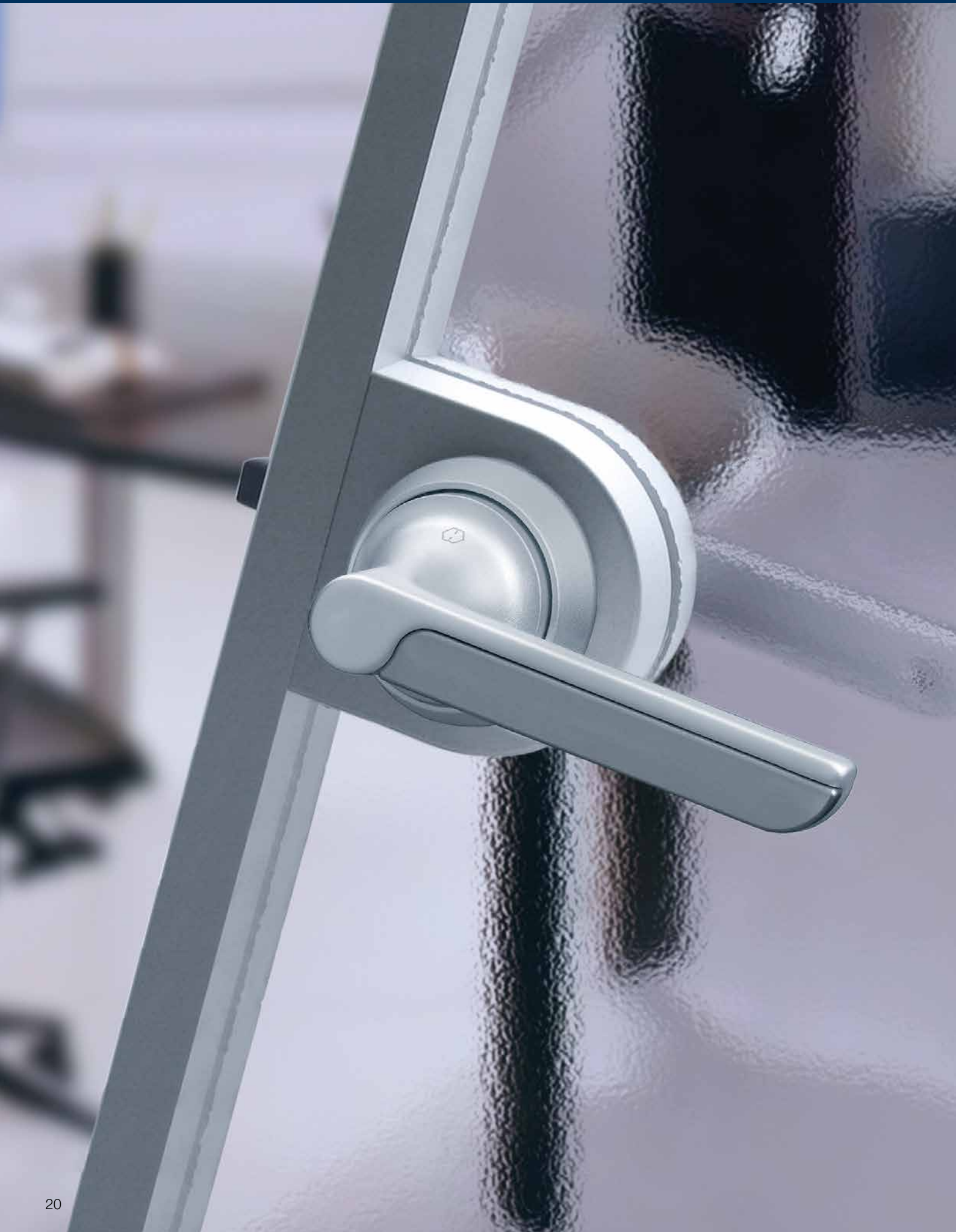


Latch sets for backset 50, 60, 70 and 80 mm can be found on page 38.

Strike plates can be found on page 108 and following pages.

Other decorative rings can be found on page 32 and following pages.

Adapter for glass doors with aluminium frame





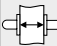
■ HCS® GD A763

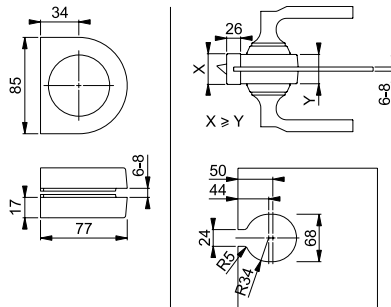
duraplus®

HCS® aluminium adapter:

- Door type: for glass doors with aluminium frames (side-hung, glass thickness 6-8 mm, frame thickness 26 mm)

- **Please note:** only suitable for flush door **HCS®**

Description	Frame thickn.	Door type		F1-2	F9714M			P.U.	O.C.
				Art. no.	Art. no.				
HCS® adapter, pair	26	Glass door with frame	6-8	2212816	11772682			20	20



On request also available in the material brass.



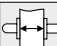
■ HCS® GD A764

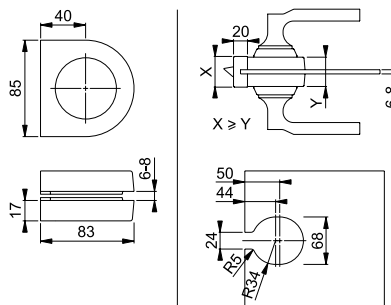
duraplus®

HCS® aluminium adapter:

- Door type: for glass doors with aluminium frames (side-hung, glass thickness 6-8 mm, frame thickness 20 mm)

- **Please note:** only suitable for flush door **HCS®**

Description	Frame thickn.	Door type		F1-2	F9-2			P.U.	O.C.
				Art. no.	Art. no.				
HCS® adapter, pair	20	Glass door with frame	6-8	2212824	3968703			20	20



On request also available in the material brass.

HCS® range for glass and partition doors







■ **Perth - HCS® GD A1880**

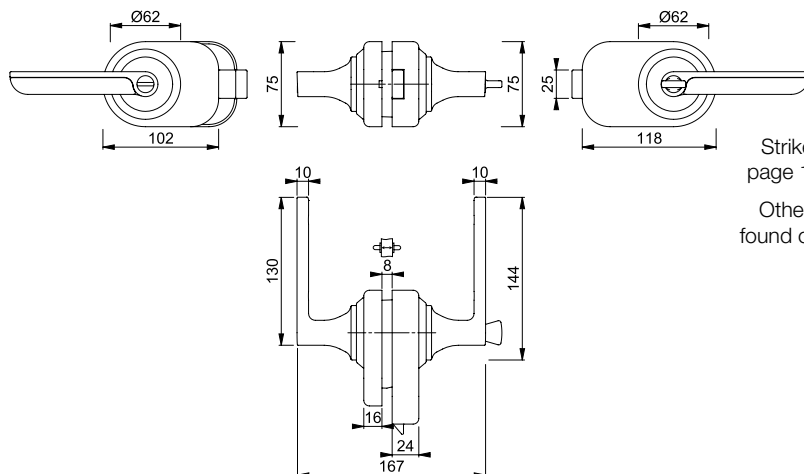
duravert®



HCS® with aluminium door handles and emergency release/turn for interior doors:

- Door type: for glass and partition doors (door thicknesses 8-10 mm)
- Version: non-keyed locking
- Adapter: aluminium with nylon base
- System core: aluminium pressure die-casting
- Latch tube: aluminium with thread
- Latchbolt: glass fibre reinforced nylon, low-noise
- Fixing: via adapter, latch tube and decorative rings
- Special feature: combines door hardware and lock in a single system, door must be prepared accordingly

Description	Version	Door type		F1-2/F9-2 Art. no.				P.U.	O.C.
HCS®, non-keyed locking		Glass/partition door	8	2537338				1	10
HCS®, keyed locking/non-keyed locking		Glass/partition door	10	2537397				1	10
HCS®, keyed locking		Glass/partition door	8	2537400				1	10
			10	2537418				1	10



Strike plates can be found on page 108 and following pages.

Other decorative rings can be found on page 32 and following pages.

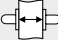



Arles - HCS® GD A197S

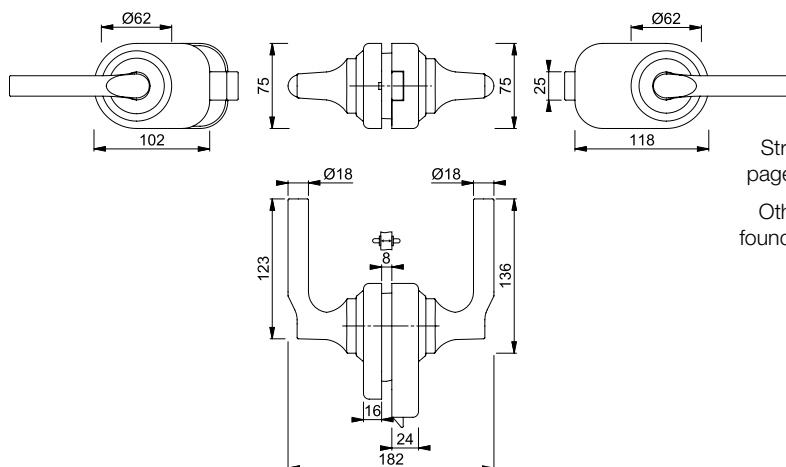
duraplus®



HCS® with aluminium door handles for interior doors:

- Door type: for glass and partition doors (door thicknesses 8-10 mm)
- Version: standard
- Adapter: aluminium with nylon base
- System core: aluminium pressure die-casting
- Latch tube: aluminium with thread
- Latchbolt: glass fibre reinforced nylon, low-noise
- Fixing: via adapter, latch tube and decorative rings
- Special feature: combines door hardware and lock in a single system, door must be prepared accordingly

Description	Version	Door type		F1-2				P.U.	O.C.
				Art. no.					
HCS®		Glass/partition door	8	2694211				1	10
				3649518				1	10
HCS®, non-keyed locking		Glass/partition door	8	2574041				1	10
				2574059				1	10
HCS®, keyed locking/ non-keyed locking		Glass/partition door	8	2574067				1	10
				2574075				1	10
HCS®, keyed locking		Glass/partition door	8	2574083				1	10
				2574091				1	10



Strike plates can be found on page 108 and following pages.

Other decorative rings can be found on page 32 and following pages.




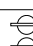
■ **Atlanta - HCS® GD A1530**

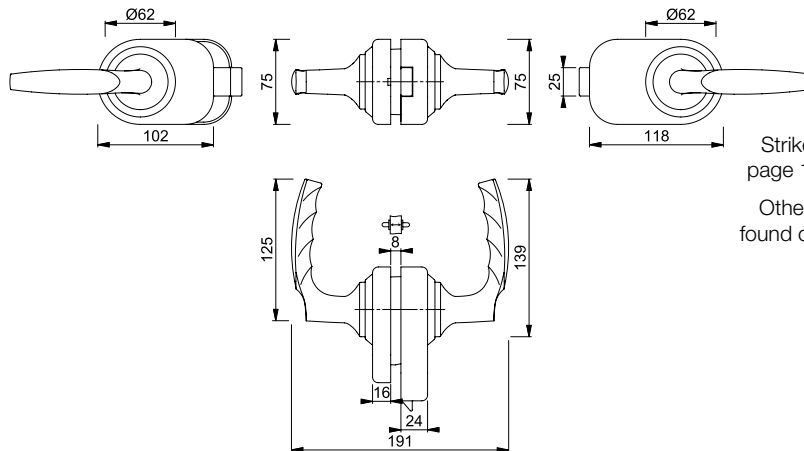
duraplus®



HCS® with aluminium door handles for interior doors:

- Door type: for glass and partition doors (door thicknesses 8-10 mm)
- Version: standard
- Adapter: aluminium with nylon base
- System core: aluminium pressure die-casting
- Latch tube: aluminium with thread
- Latchbolt: glass fibre reinforced nylon, low-noise
- Fixing: via adapter, latch tube and decorative rings
- Special feature: combines door hardware and lock in a single system, door must be prepared accordingly

Description	Version	Door type		F1-2		F9-2		P.U.	O.C.
				Art. no.	Art. no.				
HCS®		Glass/partition door	8	2694202				1	10
HCS®, non-keyed locking		Glass/partition door	8	2574201				1	10
			10	2574219				1	10
HCS®, keyed locking/non-keyed locking		Glass/partition door	8	2574243				1	10
			10	2574260	2997810			1	10
HCS®, keyed locking		Glass/partition door	8	2574278				1	10
			10	2574294				1	10



Strike plates can be found on page 108 and following pages.

Other decorative rings can be found on page 32 and following pages.


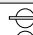
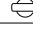
■ Groningen - HCS® GD A1885

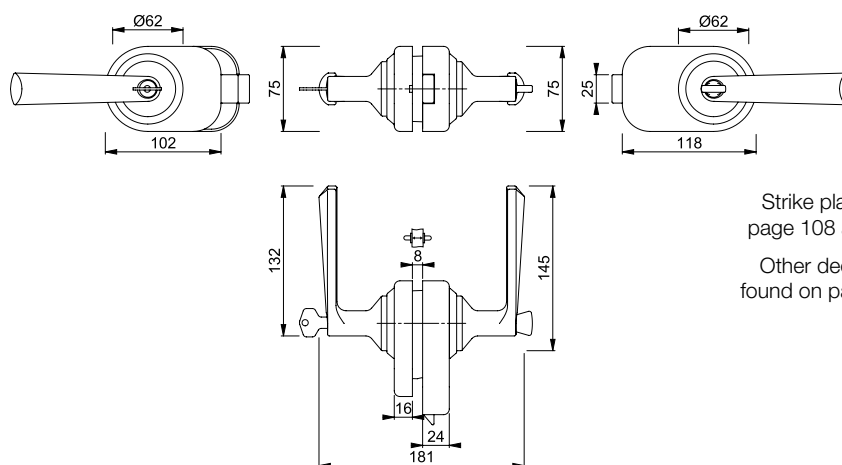
duraplus®



HCS® with aluminium door handles and keyed cylinder/turn for interior doors:

- Door type: for glass and partition doors (door thicknesses 8-10 mm)
- Version: keyed locking/non-keyed locking
- Adapter: aluminium with nylon base
- System core: aluminium pressure die-casting
- Latch tube: aluminium with thread
- Latchbolt: glass fibre reinforced nylon, low-noise
- Fixing: via adapter, latch tube and decorative rings
- Special feature: combines door hardware and lock in a single system, door must be prepared accordingly

Description	Version	Door type		F1-2				P.U.	O.C.
				Art. no.					
HCS®, keyed locking/non-keyed locking	 	Glass/partition door	8	2547270				1	10



Strike plates can be found on page 108 and following pages.

Other decorative rings can be found on page 32 and following pages.







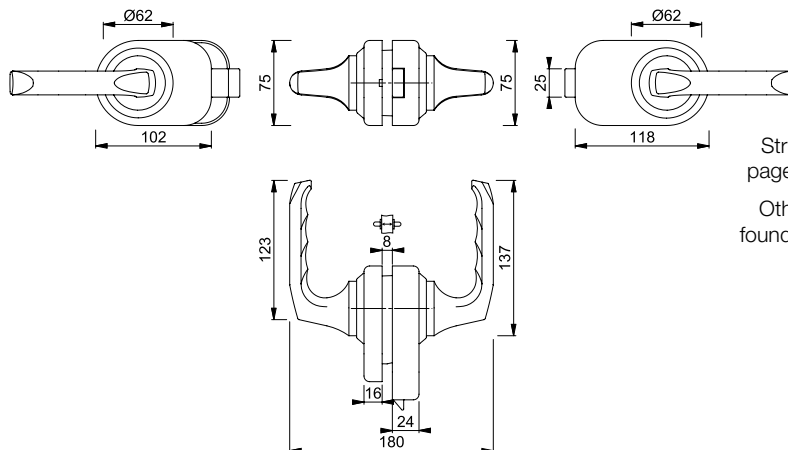
London - HCS® GD A113

duraplus®

HCS® with aluminium door handles for interior doors:

- Door type: for glass and partition doors (door thicknesses 8-10 mm)
- Version: standard
- Adapter: aluminium with nylon base
- System core: aluminium pressure die-casting
- Latch tube: aluminium with thread
- Latchbolt: glass fibre reinforced nylon, low-noise
- Fixing: via adapter, latch tube and decorative rings
- Special feature: combines door hardware and lock in a single system, door must be prepared accordingly

Description	Version	Door type		F1-2	F9-2			P.U.	O.C.
				Art. no.	Art. no.				
HCS®		Glass/partition door	8	2694245				1	10
HCS®, non-keyed locking		Glass/partition door	8	2574104				1	10
HCS®, keyed locking/non-keyed locking		Glass/partition door	8	2574121				1	10
			10	2574139				1	10
HCS®, keyed locking		Glass/partition door	8	2574147				1	10
			10	2574155	3134952			1	10



Strike plates can be found on page 108 and following pages.

Other decorative rings can be found on page 32 and following pages.

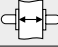
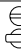

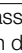
Paris - HCS® GD A138S

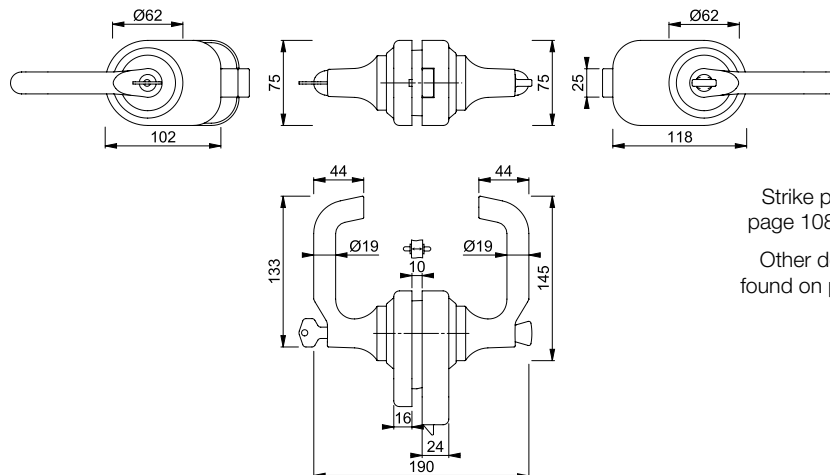
duraplus®



HCS® with aluminium door handles and keyed cylinder/turn for interior doors:

- Door type: for glass and partition doors (door thicknesses 8-10 mm)
- Version: keyed locking/non-keyed locking
- Adapter: aluminium with nylon base
- System core: aluminium pressure die-casting
- Latch tube: aluminium with thread
- Latchbolt: glass fibre reinforced nylon, low-noise
- Fixing: via adapter, latch tube and decorative rings
- Special feature: combines door hardware and lock in a single system, door must be prepared accordingly

Description	Version	Door type		F1-2	F9-2			P.U.	O.C.
				Art. no.	Art. no.				
HCS®		Glass/partition door	8	2694253				1	10
				2812045				1	10
HCS®, non-keyed locking		Glass/partition door	8	2573970				1	10
				10	2573988				1
HCS®, keyed locking/non-keyed locking		Glass/partition door	8	2573996				1	10
				10	2574008	11548514			1
HCS®, keyed locking		Glass/partition door	8	2574024	3474164			1	10
				10	2574032				1



Strike plates can be found on page 108 and following pages.

Other decorative rings can be found on page 32 and following pages.




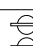


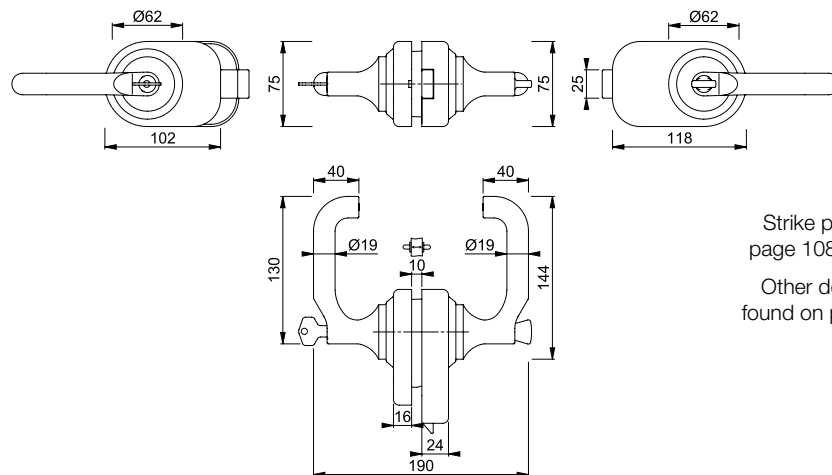
■ **Paris - HCS® GD K138S**

duraplus®

HCS® with nylon door handles and keyed cylinder/turn for interior doors:

- Door type: for glass and partition doors (door thicknesses 8-10 mm)
- Version: keyed locking/non-keyed locking
- Adapter: nylon
- System core: aluminium pressure die-casting
- Latch tube: aluminium with thread
- Latchbolt: glass fibre reinforced nylon, low-noise
- Fixing: via adapter, latch tube and decorative rings
- Special feature: combines door hardware and lock in a single system, door must be prepared accordingly

Description	Version	Door type		F7016M Art. no.	F9005M Art. no.	F9010M Art. no.		P.U.	O.C.
HCS®		Glass/partition door	8		782116			1	10
HCS®, non-keyed locking		Glass/partition door	8		2574358			1	10
			10		2574374			1	10
HCS®, keyed locking/non-keyed locking		Glass/partition door	8		786916			1	10
			10	782802	783748	2574411		1	10
HCS®, keyed locking		Glass/partition door	8		781690	2574438		1	10
			10	781829	781270			1	10



Strike plates can be found on page 108 and following pages.

Other decorative rings can be found on page 32 and following pages.



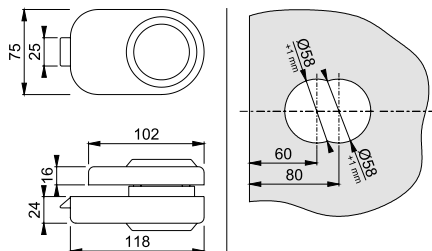
■ HCS® GD A760/761

duraplus®

HCS® aluminium adapter with latch set:

- Door type: for glass and partition doors (side-hung, door thicknesses 8-10 mm)
- **Please note:** only suitable for rebated door **HCS®**

Description	Door type	8	F1-2	F9005STR			P.U.	O.C.
			Art. no.	Art. no.				
HCS® adapter with latch set, piece	Glass/partition door	8	2725726	1917347			5	20



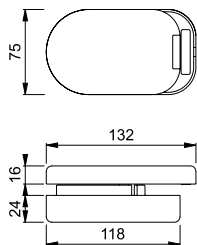
■ HCS® GD A761/762

duraplus®

HCS® aluminium latch part:

- Door type: for glass and partition doors (inactive door leaves, door thicknesses 8-10 mm)

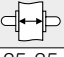
Description	Door type	8	F1-2	F9-2	F9005STR	F9010STR	P.U.	O.C.
			Art. no.	Art. no.	Art. no.	Art. no.		
HCS® latch part, piece	Glass/partition door	8	2574534		786855	790487	1	10
		10	2574542	2901970	787203		1	10

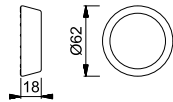




■ HCS® decorative ring (aluminium)

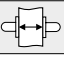
- HCS®** aluminium decorative rings with thread:
- Door type: for flush doors (door thicknesses 25-35 mm)
 - Fixing: to be screwed on

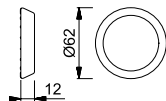
Description	Ø			F1-2			P.U.	O.C.
				Art. no.				
HCS® decorative ring, pair	62		25-35	2575051			10	60



■ HCS® decorative ring (aluminium)

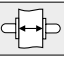
- HCS®** aluminium decorative rings with thread:
- Door type: for flush doors (door thicknesses 35-43 mm) and rebated doors (door thicknesses 38-43 mm)
 - Fixing: to be screwed on

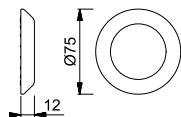
Description	Ø			F1-2	F9-2		P.U.	O.C.
				Art. no.	Art. no.			
HCS® decorative ring, pair	62		35-43	2453046	2575027		10	60



■ HCS® decorative ring (aluminium)

- HCS®** aluminium decorative rings with thread:
- Door type: for flush doors (door thicknesses 35-43 mm) and rebated doors (door thicknesses 38-43 mm)
 - Fixing: to be screwed on
 - Special feature: suitable for renovation

Description	Ø			F1-2	F9-2		P.U.	O.C.
				Art. no.	Art. no.			
HCS® decorative ring, pair	75		35-43	2575094	2575115		10	60

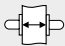


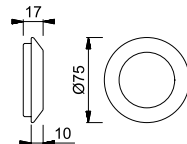


■ HCS® decorative ring (aluminium)

HCS® aluminium decorative rings with thread:

- Door type: for flush doors (door thicknesses 43-53 mm)
- Fixing: to be screwed on
- Special feature: suitable for renovation

Description	Ø			F1-2	F9-2	F9714M	P.U.	O.C.
				Art. no.	Art. no.	Art. no.		
HCS® decorative ring, pair	75		43-53	2575123	2575140	11749374	10	60

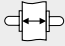


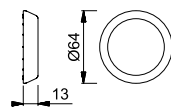
■ HCS® decorative ring (stainless steel)

HCS® stainless steel decorative rings with threaded nylon insert:

- Door type: for flush doors (door thicknesses 35-43 mm) and rebated doors (door thicknesses 38-43 mm)
- Fixing: to be screwed on



Description	Ø			F68	F69	P.U.	O.C.
				Art. no.	Art. no.		
HCS® decorative ring, pair	64		35-43	783656	785711	10	60

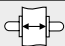


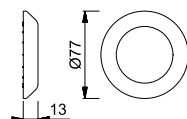
■ HCS® decorative ring (stainless steel)

HCS® stainless steel decorative rings with threaded nylon insert:

- Door type: for flush doors (door thicknesses 35-43 mm) and rebated doors (door thicknesses 38-43 mm)
- Fixing: to be screwed on
- Special feature: suitable for renovation



Description	Ø			F68	P.U.	O.C.
				Art. no.		
HCS® decorative ring, pair	77		35-43	828074	10	60

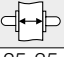


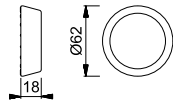


■ HCS® decorative ring (nylon)

HCS® nylon decorative rings with thread:

- Door type: for flush doors (door thicknesses 25-35 mm)
- Fixing: to be screwed on

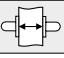
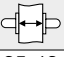
Description	Ø			F7022M	F7032M	F7037M	F9005M	P.U.	O.C.
				Art. no.	Art. no.	Art. no.	Art. no.		
HCS® decorative ring, pair	62		25-35	2575254	2575318	2575334	658091	10	60

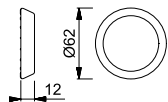


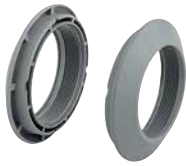
■ HCS® decorative ring (nylon)

HCS® nylon decorative rings with thread:

- Door type: for flush doors (door thicknesses 35-43 mm) and rebated doors (door thicknesses 38-43 mm)
- Fixing: to be screwed on

Description	Ø			F7016M	F7022M	F7037M	F9005M	P.U.	O.C.
				Art. no.	Art. no.	Art. no.	Art. no.		
HCS® decorative ring, pair	62		35-43	658053	2575351	2575377	658084	10	60
Description	Ø			F9010M				P.U.	O.C.
HCS® decorative ring, pair	62		35-43	658114				10	60

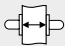
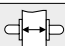


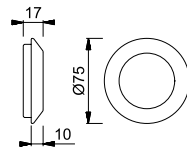


■ HCS® decorative ring (nylon)

HCS® nylon decorative rings with thread:

- Door type: for flush doors (door thicknesses 43-53 mm)
- Fixing: to be screwed on
- Special feature: suitable for renovation

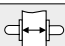
Description	Ø			F7022M	F7032M	F7037M	F9005M	P.U.	O.C.
				Art. no.	Art. no.	Art. no.	Art. no.		
HCS® decorative ring, pair	75		43-53	2575457	2575473	2575502	1694104	10	60
Description	Ø			F9010M				P.U.	O.C.
HCS® decorative ring, pair	75		43-53	2575422				10	60

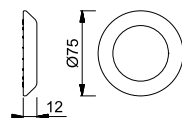


■ HCS® decorative ring (nylon)

HCS® nylon decorative rings with thread:

- Door type: for flush doors (door thicknesses 35-43 mm) and rebated doors (door thicknesses 38-43 mm)
- Fixing: to be screwed on
- Special feature: suitable for renovation

Description	Ø			F7032M	F7037M	F9005M	P.U.	O.C.
				Art. no.	Art. no.	Art. no.		
HCS® decorative ring, pair	75		35-43	2575393	2575406	658107	10	60



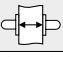


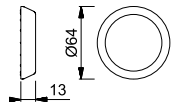
■ HCS® decorative ring (brass)

HCS® brass decorative rings with threaded nylon insert:

- Door type: for flush doors (door thicknesses 35-43 mm) and rebated doors (door thicknesses 38-43 mm)
- Fixing: to be screwed on



Description	Ø			F41	F71			P.U.	O.C.
				Art. no.	Art. no.				
HCS® decorative ring, pair	64		35-43	658688	650842			10	60

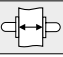


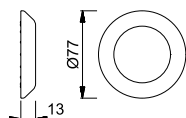
■ HCS® decorative ring (brass)

HCS® brass decorative rings with threaded nylon insert:

- Door type: for flush doors (door thicknesses 35-43 mm) and rebated doors (door thicknesses 38-43 mm)
- Fixing: to be screwed on
- Special feature: suitable for renovation



Description	Ø			F71				P.U.	O.C.
				Art. no.					
HCS® decorative ring, pair	77		35-43	658145				10	60



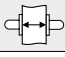


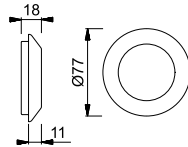
■ HCS® decorative ring (brass)

HCS® brass decorative rings with threaded nylon inser:

- Door type: for flush doors (door thicknesses 43-53 mm)
- Fixing: to be screwed on
- Special feature: suitable for renovation



Description	Ø			F41	F71			P.U.	O.C.
				Art. no.	Art. no.				
HCS® decorative ring, pair	77		43-53	2195606	1720886			10	60



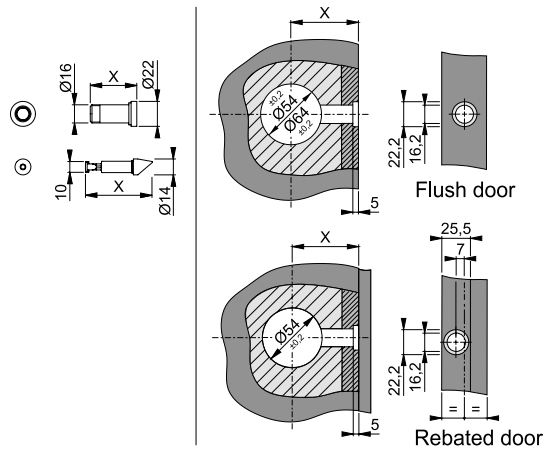


HCS® latch set (aluminium)

HCS® aluminium latch set:

- Door type: for flush doors and rebated doors (rebate width 24 mm)
- Latch tube: aluminium with thread
- Latchbolt: glass fibre reinforced nylon, low-noise

Description	Backset	F1	F4	P.U.	O.C.
		Art. no.	Art. no.		
HCS® latch set, piece	50	1750719	658282	10	60
	60	2478614	658299	10	60
	70	2285396	658305	10	60
	80	2491106	658312	10	60

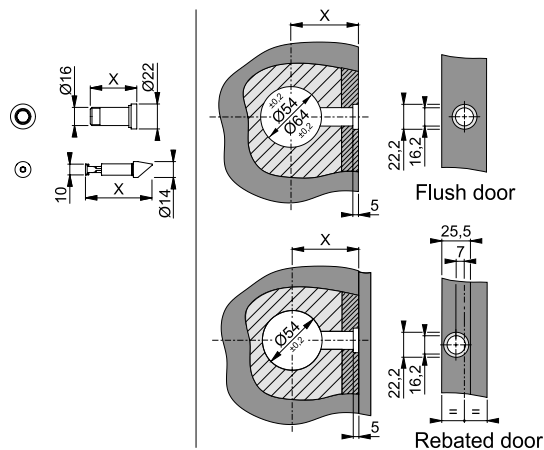


HCS® latch set (brass)

HCS® brass latch set:

- Door type: for flush doors and rebated doors (rebate width 24 mm)
- Latch tube: brass with thread
- Latchbolt: glass fibre reinforced nylon, low-noise

Description	Backset	F49	F70	P.U.	O.C.
		Art. no.	Art. no.		
HCS® latch set, piece	50	2619317	658176	10	60
	60	2099649	658183	10	60
	70	2619325	658190	10	60

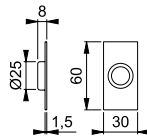




HCS® FHA1

- HCS®** stainless steel latch tube adapter:
- Door type: for flush doors (latch bore 25 mm)
 - Special feature: suitable for renovation

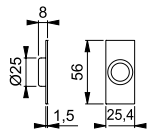
Description	Door type	Dimensions	ESM				P.U.	O.C.
			Art. no.					
HCS®-Latch tube adapter, piece	Flush door	60 x 30	658244				10	60



HCS® FHA4

- HCS®** stainless steel latch tube adapter:
- Door type: for flush doors (latch bore 25 mm)
 - Special feature: suitable for renovation

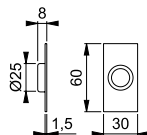
Description	Door type	Dimensions	F68	F69				P.U.	O.C.
			Art. no.	Art. no.					
HCS®-Latch tube adapter, piece	Flush door	56 x 25.4	658251	3618818				10	60



HCS® FHA1

- HCS®** brass latch tube adapter:
- Door type: for flush doors (latch bore 25 mm)
 - Special feature: suitable for renovation

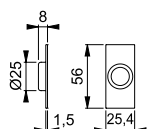
Description	Door type	Dimensions	F71				P.U.	O.C.
			Art. no.					
HCS®-Latch tube adapter, piece	Flush door	60 x 30	658268				10	60



HCS® FHA4

- HCS®** brass latch tube adapter:
- Door type: for flush doors (latch bore 25 mm)
 - Special feature: suitable for renovation

Description	Door type	Dimensions	F71				P.U.	O.C.
			Art. no.					
HCS®-Latch tube adapter, piece	Flush door	56 x 25.4	658275				10	60

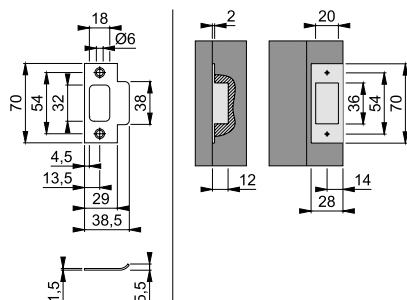


Strike plates

HCS® SB-A

- HCS® stainless steel strike plate:**
- Door type: for door frames of flush doors
 - Fixing: for multi-purpose screws

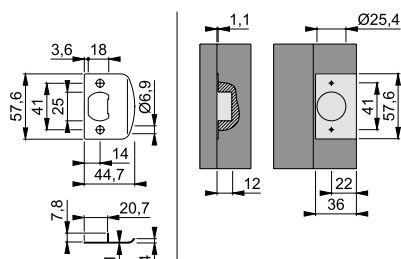
Description	Door type	Dimensions	F69-9				P.U.	O.C.
			Art. no.					
HCS® strike plate, piece	Flush door	70 x 38.5	658206				10	60



HCS® SB-B

- HCS® stainless steel strike plate:**
- Door type: for door frames of flush doors
 - Fixing: for multi-purpose screws

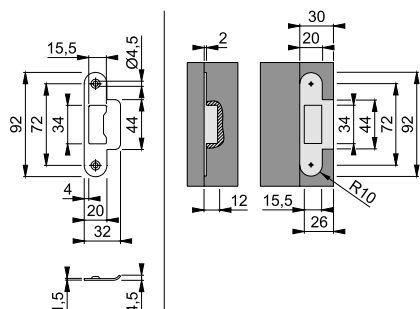
Description	Door type	Dimensions	F69-9				P.U.	O.C.
			Art. no.					
HCS® strike plate, piece	Flush door	57.6 x 44.7	658213				10	60



HCS® SB-C

- HCS® stainless steel strike plate:**
- Door type: for door frames of flush doors
 - Fixing: for multi-purpose screws

Description	Door type	Dimensions	ESR				P.U.	O.C.
			Art. no.					
HCS® strike plate, piece	Flush door	92 x 32	623082				10	60



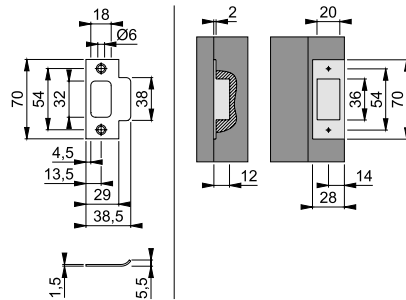
HCS® SB-A

HCS® brass strike plate:

- Door type: for door frames of flush doors
- Fixing: for multi-purpose screws



Description	Door type	Dimensions	F71-9				P.U.	O.C.
			Art. no.					
HCS® strike plate, piece	Flush door	70 x 38.5	658220				10	60



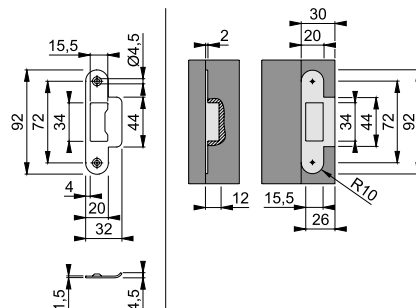
HCS® SB-C

HCS® brass strike plate:

- Door type: for door frames of flush doors
- Fixing: for multi-purpose screws



Description	Door type	Dimensions	F71-9				P.U.	O.C.
			Art. no.					
HCS® strike plate, piece	Flush door	92 x 32	621255				10	60





HCS® clip-in SK-15 (aluminium)

HCS® aluminium clip-in emergency release:

- for HCS® models designed to incorporate a non-keyed locking function
- Fixing: to be clipped in
- **Please note:** only clip into assembled HCS® as cannot be disassembled again

Description	Ver-sion			F1-2	F9-2			P.U.	O.C.
				Art. no.	Art. no.				
HCS® clip-in SK-15, piece	⊖			2574948	2574972			10	60

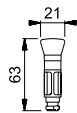


HCS® clip-in OL-15 (aluminium)

HCS® aluminium clip-in turn:

- for HCS® models designed to incorporate a non-keyed locking function
- Fixing: to be clipped in
- **Please note:** only clip into assembled HCS® as cannot be disassembled again

Description	Ver-sion			F1-2	F9-2			P.U.	O.C.
				Art. no.	Art. no.				
HCS® clip-in OL-15, piece	⊕			2574921	2574964			10	60

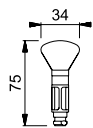


HCS® clip-in OL-15-SEN (aluminium)

HCS® large aluminium clip-in turn:

- for HCS® models designed to incorporate a non-keyed locking function
- Fixing: to be clipped in
- **Please note:** only clip into assembled HCS® as cannot be disassembled again

Description	Ver-sion			F1-2	F9-2			P.U.	O.C.
				Art. no.	Art. no.				
HCS® clip-in OL-15-SEN, piece	⊕			2574956	2574981			10	60



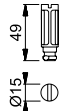


HCS® clip-in SK-15 (nylon)

HCS® nylon clip-in emergency release:

- for HCS® models designed to incorporate a non-keyed locking function
- Fixing: to be clipped in
- **Please note:** only clip into assembled HCS® as cannot be disassembled again

Description	Ver- sion			F7016M	F7037M	F9005M	F9010M	P.U.	O.C.
				Art. no.	Art. no.	Art. no.	Art. no.		
HCS® clip-in SK-15, piece	⊖			2574841	2602312	572724	2574711	10	60

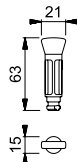


HCS® clip-in OL-15 (nylon)

HCS® nylon clip-in turn:

- for HCS® models designed to incorporate a non-keyed locking function
- Fixing: to be clipped in
- **Please note:** only clip into assembled HCS® as cannot be disassembled again

Description	Ver- sion			F7016M	F7022M	F7037M	F9005M	P.U.	O.C.
				Art. no.	Art. no.	Art. no.	Art. no.		
HCS® clip-in OL-15, piece	⊖			2574833	2680821	2602304	572717	10	60
Description	Ver- sion			F9010M				P.U.	O.C.
HCS® clip-in OL-15, piece	⊖			2574702				10	60

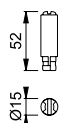


HCS® clip-in RGSK-15 (nylon)

HCS® nylon clip-in emergency release with red-green-indicator:

- for HCS® models designed to incorporate a non-keyed locking function
- Fixing: to be clipped in
- **Please note:** only clip into assembled HCS® as cannot be disassembled again

Description	Ver- sion			F7037M	F9005M			P.U.	O.C.
				Art. no.	Art. no.				
HCS® clip-in RGSK-15, piece	⊖			2602291	658152			10	60





HCS® clip-in SK-15 (brass)

HCS® brass clip-in emergency release:

- for HCS® models designed to incorporate a non-keyed locking function
- Fixing: to be clipped in
- **Please note:** only clip into assembled HCS® as cannot be disassembled again

Description	Version			F41	F49	F71	P.U.	O.C.
				Art. no.	Art. no.	Art. no.		
HCS® clip-in SK-15, piece	⊖			658664	2215902	575138	10	60

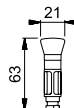


HCS® clip-in OL-15 (brass)

HCS® brass clip-in turn:

- for HCS® models designed to incorporate a non-keyed locking function
- Fixing: to be clipped in
- **Please note:** only clip into assembled HCS® as cannot be disassembled again

Description	Version			F41	F49	F71	P.U.	O.C.
				Art. no.	Art. no.	Art. no.		
HCS® clip-in OL-15, piece	⊕			658657	2215890	575121	10	60

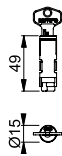


HCS® clip-in ZYL-15



- HCS®** clip-in keyed cylinder with reversible key:
- for **HCS®** models designed to incorporate a locking function
 - Fixing: to be clipped in
 - **Please note:** only clip into assembled **HCS®** as cannot be disassembled again

Description	Version	Locking		nickel-plated				P.U.	O.C.
				Art. no.					
HCS® clip-in ZYL-15, pair	⊖			766260				10	60
HCS® clip-in ZYL-15, piece	⊖			591732				10	60
HCS® clip-in ZYL-15, pair	⊖	4W01		6889232				10	60
HCS® clip-in ZYL-15, pair	⊖	4W03		6889273				10	60
HCS® clip-in ZYL-15, pair	⊖	4W23		6517783				10	60

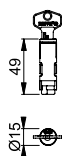


HCS® clip-in ZYL (group key locking cylinder)



- HCS®** clip-in component – group key locking cylinder with reversible key:
- For **HCS®** models to be fitted with group-keying
 - Fixing: to be clipped in
 - **Please note:** fit only on mounted **HCS®**, as it cannot be disassembled again

Description	Version	Locking		nickel-plated				P.U.	O.C.
				Art. no.					
HCS® clip-in ZYL (group key locking cylinder), piece	⊖	GS-DHIJKL		782796				10	60
HCS® clip-in ZYL (group key locking cylinder), pair	⊖	GS-DHIJKL		780952				100	100
HCS® clip-in ZYL (group key locking cylinder), piece	⊖	C		10732601				10	60
HCS® clip-in ZYL (group key locking cylinder), pair	⊖	C		10732598				10	60
HCS® group key, 4 pieces	⊖			781485				10	60





HCS® sample block

HCS® sample block:

- Rectangular door section (flush door) in polar pine finish, with base plate, **HCS®** hardware, assembly/disassembly key

Description	Dimensions	Art. no.				P.U.	O.C.
HCS® sample block, piece	W21 x H20 cm	564170				1	1

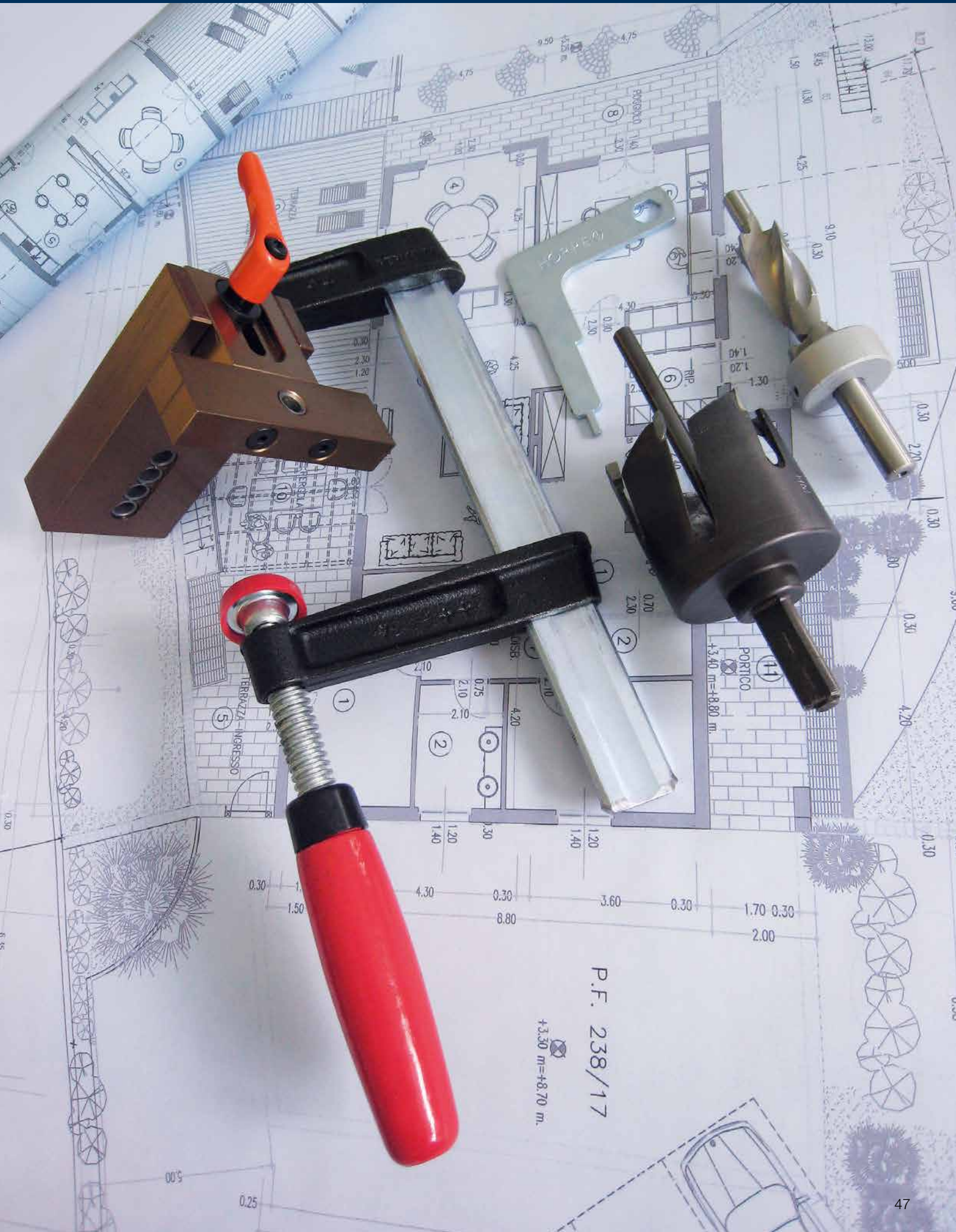


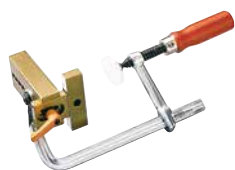
HCS®-GD sample block

HCS®-GD sample block:

- Rectangular PLEXIGLAS® section with base plate, **HCS®-GD** hardware for glass doors

Description	Dimensions	Art. no.				P.U.	O.C.
HCS®-GD sample block, piece	W21 x H20 cm	777402				1	1





HCS® drill jig

HCS® drill jig:

- for the preparation of flush and rebated doors
- for drilling the pilot holes for the **HCS®** system core and the **HCS®** latch tube

Description				Art. no.				P.U.	O.C.
HCS® drill jig, piece				500093				1	1



HCS® hole saw

HCS® hole saw:

- For drilling the hole (Ø 54 mm) in the door leaf into which the **HCS®** system core is inserted

Description				Art. no.				P.U.	O.C.
HCS® hole saw, piece				500123				1	1



HCS® stepped drill bit

HCS® stepped drill bit:

- For drilling the hole (Ø 16.2/22.2 mm) into the rebate or the flush edge of the door into which the **HCS®** latch tube is inserted

Description				Art. no.				P.U.	O.C.
HCS® stepped drill bit, piece				500130				1	1



HCS® installation key

HCS® installation key:

- For inserting the **HCS®** latch tube into the door and fixing it there

Description				zinc-plated				P.U.	O.C.
				Art. no.					
HCS® installation key, piece				654253				1	1



HCS® – the preparation of timber doors



The preparation of timber doors

- Handle and latch bolt are at the same height from finished floor level.
- Backset of 50 mm, 60 mm (standard backset), 70 mm or 80 mm
- Door thickness of rebated doors: 38-43 mm
- Door thickness of flush doors: 25-43 mm and 43-53 mm
- For other door thicknesses please get in touch with your HOPPE contact partner.
- For the preparation of steel frames please contact the manufacturer.

Flush doors			
<p>Ø 54 mm for door thickness 25-43 mm Ø 65 mm for door thickness 43-53 mm</p>	<p>System core for flush doors</p>		
	<p>Strike plates for flush doors</p> <table border="0"> <tr> <td> <p>HCS® SB-A</p> </td> <td> <p>HCS® SB-B</p> </td> <td> <p>HCS® SB-C</p> </td> </tr> </table>	<p>HCS® SB-A</p>	<p>HCS® SB-B</p>
<p>HCS® SB-A</p>	<p>HCS® SB-B</p>	<p>HCS® SB-C</p>	

Rebated doors		
	<p>System core for rebated doors</p>	
	<p>Strike plates for rebated doors</p> <table border="0"> <tr> <td> <p>HCS® SB-D</p> </td> <td> <p>HCS® SB-E</p> </td> </tr> </table>	<p>HCS® SB-D</p>
<p>HCS® SB-D</p>	<p>HCS® SB-E</p>	

Only two holes need to be drilled to install HCS®



1 Place HCS® jig at required handle height on door and tighten.



2 Flush door: Centre small drill plate on flush edge of door and tighten.

Rebated door: Position small drill plate against rebate and tighten.



3 Drill Ø 7 mm guiding hole for HCS® hole saw.



4 Drill Ø 7 mm guiding hole for stepped drill bit.



5 Drill 3 mm into door on one side using the Ø 54 mm diameter hole saw.



6 Drill through from opposite side.




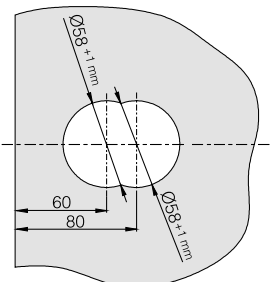
7 Drill hole for latch tube using the HCS® Ø 16.2 mm/22.2 mm stepped drill bit.


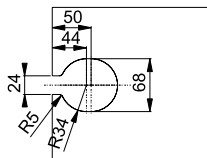
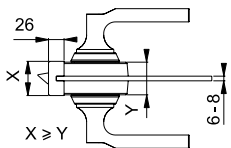
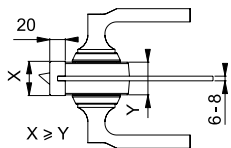


To fit the HCS® securely and permanently to the door, we recommend our HCS® tool kit (569946).

The preparation of glass and partition doors

Glass and partition doors should be prepared for the installation of HCS® as illustrated below.

Glass and partition doors	
	 <p style="text-align: right;">Preparation of glass and partition doors (active and inactive door leaf) for glass door HCS® and HCS® latch part.</p>

Glass door with metal frame	
	 <p style="text-align: right;">Preparation of glass doors with metal frame to suit glass door adapter HCS® GD A763 (for 26 mm metal frame) and HCS® GD A764 (for 20 mm metal frame).</p> <div style="display: flex; justify-content: space-around;"> <div style="text-align: center;">  <p>GD A763: installation example</p> </div> <div style="text-align: center;">  <p>GD A764: installation example</p> </div> </div>

HCS® can be installed in less than a minute



Insert the system core in the 54 mm hole with the HOPPE logo at the **bottom** and the handles pointing to the **edge of the door**.



Turn the handles through 180°. The HOPPE logo is then at the **top** with the handles pointing to the **hinges of the door**.



Put the latch tube on the installation key and insert it into the appropriate hole. Position it in the system core and turn it but do **not** tighten completely.



Put the decorative rings over the handles and turn them tight. Only **now** tighten the latch tube.



Put the latch bolt on the installation key and insert it **fully** into the tube with the **strike face of the bolt** showing **upwards**. Depending on the **closing direction of the door**, put it to the final position by turning it 90°.

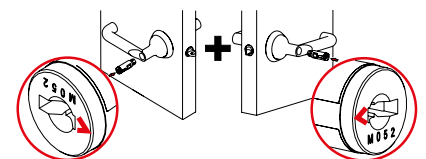


That's all! Depending on the HCS® version chosen, the appropriate clip-in components can now be fitted (see picture ⑦).



Non-keyed locking: The turn (OL) can be clipped into the handle on the **interior side of the door**. The emergency release (SK) or the red/green indicator (RG-SK) can be clipped into the handle on the **exterior side of the door**.

Keyed locking: Insert the appropriate key cylinder if needed. Please make sure to position it correctly (cf. drawing)!



Note: Installation of locking HCS®

Before inserting the clip-in components (emergency release, turn, key cylinder etc.) into the handles, establish their correct position regarding the interior and exterior side of the door. **Once fitted, the clip-in components cannot be removed!**

Turning old into new

With HCS[®], you can give your door a whole new look in a few easy steps. You can simply replace your old knob sets with HCS[®] and benefit from the numerous advantages the system has to offer.

HCS[®] can be operated like a normal door handle. This makes opening the door much more convenient than turning and opening it with a knob set. What's more, the existing drill hole does not need to be adjusted. This means that an outdated knob set can be replaced by the HOPPE Compact System with minimal effort.



The existing fitting should/must be replaced.



Adjustment of the drill holes after removing the knob set is not necessary.



The new HCS[®] can be installed in just a few easy steps (see page 53). (Decorative rings and latch tubes for renovation purposes, see pages 32-39.)

HCS® – Specifications

Product name:	HCS® – HOPPE Compact System
Manufacturer:	HOPPE Holding AG
Product description:	compact lock and hardware system
Purpose:	door operation for timber, glass and partition doors in the home and office
Materials:	brass, aluminium and nylon
Design description:	please see descriptions in the HCS® product range
Versions:	passage (non-locking), keyed and non-keyed locking
Technical data:	please see descriptions in the HCS® product range
Installation:	possible on site
Finish range:	please see finish samples for each design
Guarantee:	10-year operational guarantee
Customer service:	HOPPE contact partner



HCS® – Ordering information

The following details are required when ordering HCS®:

- 1) Design
- 2) Finish
- 3) Version – keyed or non-keyed locking
- 4) Door thickness
- 5) Decorative ring diameter
- 6) Type of door – flush or rebated
- 7) Quantity

All HCS® designs supplied are for a 60 mm backset and include the latch set and standard decorative rings but not the strike plate. Locking versions include the clip-in components also.



Aluminium:

The surface of HOPPE aluminium fittings is protected by either anodising or powder coating. Anodising consists of a controlled, electrically induced oxidation process with the aid of sulphuric acid, which causes the base material to bond with oxygen and to grow a protective surface layer, the so-called oxide film. This film protects the products against detrimental influences such as hand perspiration, humidity and light mechanical stress.

In powder coating, the coating powder is applied to the aluminium surface by means of an electrostatic process. It is then heated to a temperature of 150°-200°C causing the paint particles to melt to a film of paint in a chemical cross-linking reaction. There is no known risk to health in aluminium hardware. No special care is needed for aluminium as the oxide film protects it. Dirt can easily be removed with a damp cloth.



Stainless steel:

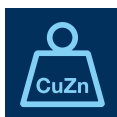
HOPPE brand stainless steel hardware is manufactured from chrome-nickel steel (steel no. 1.4301 to DIN). Thanks to its longevity, its harmlessness to the environment and to health as well as its corrosion acid-, and abrasion resistance, it is used in the food industry as well as the medical and domestic sectors besides the building trade. Stainless steel is also called corrosion-resistant because the alloy components of chromium and nickel develop an invisible passivation layer.

If stainless steel hardware show signs of rust, they are caused by rust particles naturally present in the atmosphere. Rust particles as well as traces of dirt and grease can be removed with a household detergent suitable for stainless steel. Stainless steel hardware is also available with our Resista® surface guarantee (see page 57).



Polyamide:

HOPPE brand polyamide hardware is manufactured using high quality polyamide (PA) which not only has enhanced mechanical properties but is also impact and wear resistant. Combined with its anti-static properties, and weathering and chemical resistance makes it a favourite material for engineering applications, such as hardware. If necessary, HOPPE polyamide products are additionally UV-stabilised. Soiling can be removed with water and/or conventional cleaners.



Brass:

HOPPE brand brass hardware is made of high quality brass alloys. The surface is protected either by a transparent lacquer of elevated adhesive strength and resistance to solvents and chemicals, by electro plating such as chrome-plating or by a special vacuum coating process. If the protective coat of lacquer is damaged by mechanical action such as accidental scratching with keys corrosion (tarnishing brown) can occur.

Brass hardware requires no special care. Dirt can easily be removed with a damp cloth. Use of caustic cleansers should be avoided. Brass hardware is also available with our Resista® surface-guarantee (see page 57).

Resista® – HOPPE’s surface guarantee

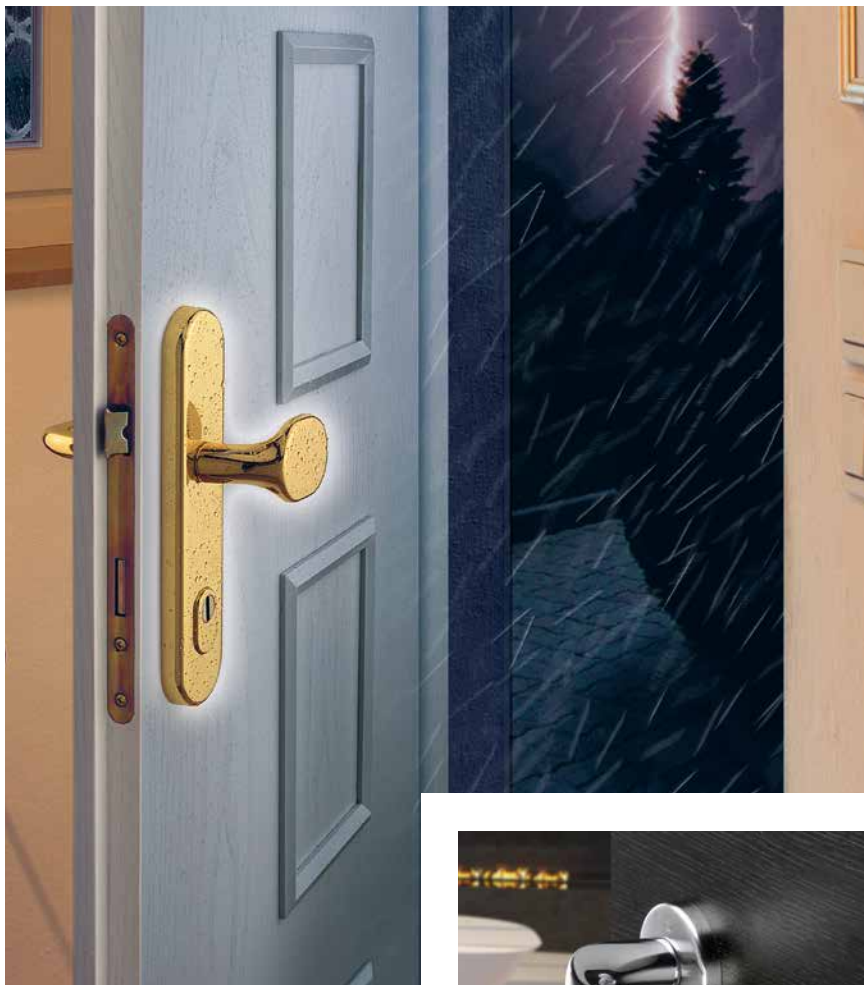
HOPPE Resista® hardware has a 10-year surface guarantee (please see “Guarantee” on page 60).

They are therefore ideal for coastal areas and highly frequented areas such as public buildings, shops and hotels.

All products with the Resista® surface guarantee have undergone continual quality testing and, when new, conform to the requirements of the European standard EN 1670 (“Building hardware – Corrosion resistance – Requirements and test methods”).

Care:

Dirt can easily be removed with a damp cloth. The use of caustic cleansers or chemicals should be avoided. No further special care is needed.

Brass sets with chrome finish in the **duravert®** and **duraplus®** product lines also have the HOPPE Resista® surface guarantee, providing 10 years’ cover on the surface of these products, too.



HOPPE's operational guarantee



According to **HOPPE, a brand name product** keeps its promise of quality to the enduser. As a way of ensuring this, HOPPE gives a **10-year guarantee on the mechanical operation** on all door and window handles (as long as the respective assembly and maintenance guidelines are fulfilled; please see "Guarantee" on page 60).

HOPPE brand name products undergo numerous tests to ensure flawless operation. Static impact tests and durability tests are also made depending on the product type. These closely reflect the everyday knocks hardware has to take and extend beyond the tests and requirements of DIN EN 1906 or RAL-GZ 607/9.

Whereas for DIN EN 1906 and RAL-GZ 607/9 hardware is tested in isolation, HOPPE, more realistically, conducts operational tests on the door and window itself. This means that not just the function, but also the durability of the attachment between hardware and door or window, too, is tested.

HOPPE realistically tests door and window handles in situ, – on doors and windows.



With the **10-year guarantee on the mechanical operation**, HOPPE extends way beyond the statutory 4 years of European regulations.

The next page gives you an overview of the operational guarantee tests made by HOPPE.

1. Tests on door handles

There are two durability grades for door handles in DIN EN 1906 necessitating durability tests with various test cycles.


- **Grade 6:**

Medium frequency of use, for residential hardware: 100,000 test cycles (1 test cycle = 1 x opening and closing of a door).

- **Grade 7:**

High frequency of use, for non-residential hardware: 200,000 test cycles.


Application-related standards are set for the HOPPE guarantee on the mechanical operation. In all durability tests, the door handles are tested on the doors themselves. Residential hardware is tested in **182,500** operational cycles (1 cycle = 1 x opening and closing the door) and handles for non-residential use are tested in **255,500** operational cycles. This is the equivalent of 50 or 70 operational cycles a day over a period of 10 years. Neither the door handle itself, nor any part of it, must become loose during the course of the test. The sets are then tested for their stability, ensuring they work flawlessly.

HOPPE test criteria 	
182,500	operational test cycles on the door
255,500	operational test cycles on the door

2. Tests on window handles

RAL-GZ 607/9 prescribes 10,000 tilt/turn test cycles in durability tests for window handles.

HOPPE, again, tests in an application-related way. In tests for the operational guarantee, HOPPE window handles undergo a **15,000** tilt/turn cycle test on the window itself. This is the equivalent to 4 x opening and closing plus 4 x tilting and closing per day over 10 years (1 tilt/turn cycle = 1 x opening and closing of the window plus 1 x tilting and closing of window). The window handles are then tested for their stability to ensure perfect operation.

HOPPE test criteria 	
15,000	operational test cycles on the window

**Still the Handle of Excellence,
even after 10 years' hard use!**

HOPPE operational guarantee

I. General information

In parallel and in addition to the legal rights of the enduser arising from the purchase of HOPPE door and window hardware, we grant endusers a manufacturer's guarantee on HOPPE door and window hardware in the scope described hereinafter.

For the purposes of this manufacturer's guarantee, an "enduser" is every natural or legal person who owns the HOPPE product and who has not purchased it with the intention of installing it at or selling it on to third parties as part of a business operation.

"Initial Enduser" is an enduser who initially purchased the HOPPE product from HOPPE, a reseller or any other natural or legal person in order to install it at or sell it on to third parties as part of a business operation.

II. Guarantee scope

As a manufacturer, we guarantee endusers the flawless mechanical functioning of HOPPE door and window hardware. This operational guarantee applies to the following features of HOPPE door and window hardware:

- Transmission of the rotary motion to the door lock or turn/tilt hardware of the window;
- Connection between handle and the product it is fitted to;
- With respect to window handles: keyed locking, push-to-open, SecuForte®, SecuSelect®, Secu100®, Secu200®, SecuDuplex®, SecuTBT® or Secustik® functions;
- With respect to door handles: Sertos®, bathroom set or HCS® with locking mechanism functions;
- With respect to security hardware: security function, cylinder cover
- Spring cassette (if installed ex-factory);
- HOPPE Quick-Fit connection and the HOPPE Quick-FitPlus connection;
- Transmission mechanism in the SecuSignal® window handles.

Our operational guarantee applies to HOPPE door and window hardware worldwide.

We grant the operational guarantee for a period of 10 years from date of purchase by the initial enduser.

All replaceable component parts, particularly screws, connecting spindles, snap rings and similar, as well as electronic components are expressly excluded from this operational guarantee. Moreover, the operational guarantee does not apply in the following cases:

- Improper use;
- Faulty installation;
- Incorrect operation;
- Non-observance of installation and care instructions;
- Any unauthorised modifications or repairs to the product;
- Chemical or physical damage of the mechanism and/or the material surface due to improper use, e.g. damage caused by sharp-edged objects or the unsuitable cleaning agents and aids;
- Improperly adjusted doors and windows and/or their architectural hardware com-

ponents (e.g. locks, hinges, turn/tilt hardware, frame and similar) that may put excessive strain on the fitted HOPPE door and window hardware;

- Damage by force majeure or natural catastrophes.

III. Guarantee extent

Our guarantee applies, in the event that a defect in the mechanical functionality occurs within the guarantee period, solely to either the repair of the product for the enduser free of charge, or to the replacement of the product free of charge with suitable or equivalent hardware, this decision being at our discretion.

Costs and expenses incurred by the enduser for the installation and removal of the HOPPE product and for sending the product to HOPPE or the reseller are not covered by this guarantee.

The enduser can claim their rights under this guarantee by written notice of defects within the guarantee period to the reseller from whom the initial enduser purchased the product, or directly to us: HOPPE Holding AG, Via Friedrich Hoppe, 7537 Müstair, Switzerland.

The enduser shall also provide the faulty product as well as evidence that the defect in its mechanical functionality occurred within the guarantee period. This can be done by presenting the sales receipt for the purchase of the product by the initial enduser in particular. We therefore recommend keeping this in a safe place at least until the end of the guarantee period.

IV. Statutory rights

The enduser is entitled to their statutory rights in addition to their rights from this guarantee. Under certain circumstances, these rights can be more favourable for the enduser and are in no way restricted by this guarantee.

This guarantee also does not affect the rights of the initial enduser or, where applicable, of the enduser vis-à-vis the seller from whom the initial enduser purchased the product.

HOPPE Holding AG
Via Friedrich Hoppe
7537 Müstair
Switzerland

Resista® – The HOPPE surface guarantee

I. Guarantee

As manufacturer, we guarantee, under the conditions set forth below, the durability of properly-used HOPPE hardware, over and above the seller's legal liability for material defects. The Resista® surface guarantee includes all defects which can be proved to have been caused through fault in manufacturing or material, for example when the surface is tarnished or discoloured (appearance of spots) or the protective surface has become separated from its base material, and not through improper use.

II. Guarantee exclusions

All interchangeable parts, such as screws, connecting spindles and springs etc, are excluded from this guarantee. Furthermore, no liability will be assumed for any damage caused through:

- unsuitable or improper use
- incorrect or negligent treatment
- disregard for instructions for fitting or care
- alterations or repair by the enduser or a third party
- chemical or physical agents, where the surface has been improperly treated, for example by sharp instruments.

III. Guarantee conditions

This guarantee relates, within the guarantee period, solely to either replacing the handle free of charge or to repairing same free of charge, on behalf of the original enduser, this decision being at HOPPE's discretion. Costs and expenses, postage and packaging and similar, as incurred by the complainant, shall not be reimbursed. Claim to guarantee shall only occur on presentation of the product itself and the receipt and shall not exceed the original purchase price.

IV. Guarantee period

The guarantee period shall be for 10 years and shall begin on the day of purchase by the original enduser. In the event of any claim, complainants should address themselves directly to the seller or manufacturer presenting both the product and the receipt.

HOPPE Holding AG
Via Friedrich Hoppe
7537 Müstair
Switzerland

Aluminium



F1 - silver



F1-2 - silver matt



F4 - bronze



F4-2 - bronze matt



F1-2/F9-2 - silver matt/steel matt



F9-2 - steel matt



F9005STR - jet black structured



F9010STR - pure white structured



F9714M - black matt

Stainless steel



F68 - polished



F69 - satin



F69-9 - matt

Nylon



F7016M - anthracite grey matt



F7022M - umber grey matt



F7032M - pebble grey matt



F7037M - dusty grey matt



F9005M - jet black matt



F9010M - pure white matt

Brass



F41 - satin chorme



F41-R - satin chorme - **Resista®**



F49 - polished chrome



F49/F69 - polished chrome/satin stainless steel



F70 - polished brass, not lacquered



F71 - polished



F71-9 - polished brass, not lacquered



F77-R/F52-R - brass coloured, polished/satin - **Resista®**

Differences in colours can occur due to the limitations of the printing process.

