

# Neo Georgian

“Simplicity is the ultimate sophistication”, Leonardo Da Vinci”. The stylish but straightforward Neo Georgian column cast iron radiator echoes back to the era of the early 1900s. The classic clean lines of this elegant design mean that it is well suited for either the modern or period home setting. With options of 2, 4 and even 6 column depths, the heat output per section is substantial. With its clean and elegant design, The Neo Georgian column cast iron radiator is a popular choice for homes that were built during the Arts and Crafts era, which influenced Britain until the 1930s.

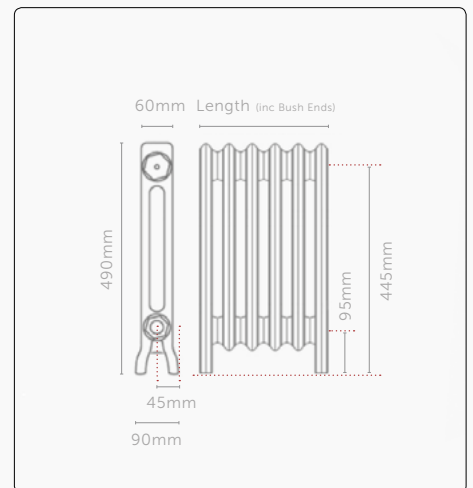
**COLUMNS**      **HEIGHT** (Please select your required height to view heat output and specifications)

**2**   **4**   **6**      **490**   640   740   1040

CODE	SECTIONS	LENGTH	OUTPUT		WEIGHT (KG)	WATER CONTENT (LTRs)
			75 / 65 / 20 BTUs	WATTS		
GEO2-490-03	3	208	420	123	8	1.08
GEO2-490-04	4	269	560	164	10	1.44
GEO2-490-05	5	330	699	205	13	1.80
GEO2-490-06	6	391	839	246	16	2.16
GEO2-490-07	7	452	979	287	18	2.52
GEO2-490-08	8	512	1119	328	21	2.88
GEO2-490-09	9	573	1259	369	23	3.24
GEO2-490-10	10	634	1399	410	26	3.60
GEO2-490-11	11	695	1539	451	29	3.96
GEO2-490-12	12	756	1679	492	31	4.32
GEO2-490-13	13	816	1819	533	34	4.68
GEO2-490-14	14	877	1958	574	36	5.04
GEO2-490-15	15	938	2098	615	39	5.40
GEO2-490-16	16	999	2238	656	42	5.76
GEO2-490-17	17	1060	2378	697	44	6.12
GEO2-490-18	18	1120	2518	738	47	6.48
GEO2-490-19	19	1181	2658	779	49	6.84
GEO2-490-20	20	1242	2798	820	52	7.20
GEO2-490-21	21	1303	2938	861	55	7.56
GEO2-490-22	22	1364	3078	902	57	7.92
GEO2-490-23	23	1424	3218	943	60	8.28
GEO2-490-24	24	1485	3357	984	62	8.64
GEO2-490-25	25	1546	3497	1025	65	9.00
GEO2-490-26	26	1607	3637	1066	68	9.36
GEO2-490-27	27	1668	3777	1107	70	9.72
GEO2-490-28	28	1728	3917	1148	73	10.08
GEO2-490-29	29	1789	4057	1189	75	10.44
GEO2-490-30	30	1850	4197	1230	78	10.80
GEO2-490-31	31	1911	4337	1271	81	11.16
GEO2-490-32	32	1972	4477	1312	83	11.52
GEO2-490-33	33	2032	4616	1353	86	11.88
GEO2-490-34	34	2093	4756	1394	88	12.24
GEO2-490-35	35	2154	4896	1435	91	12.60
GEO2-490-36	36	2215	5036	1476	94	12.96
GEO2-490-37	37	2276	5176	1517	96	13.32
GEO2-490-38	38	2336	5316	1558	99	13.68
GEO2-490-39	39	2397	5456	1599	101	14.04
GEO2-490-40	40	2458	5596	1640	104	14.40

Maximum test pressure = 7.8 bar | Maximum working pressure = 6.0 bar

Lengths quoted are given in good faith. However, due to the nature of the manufacturing process tolerances can and should be expected. Quoted dimensions should therefore only be used as a guideline. Longer lengths are available on request.



Contact our  
scandinavian distributor:

[sales@agentur-huset.com](mailto:sales@agentur-huset.com)

[www.agentur-huset.com](http://www.agentur-huset.com)

Agenturhuset AB  
Garnisonsgatan 13  
SE-25466 Helsingborg

# Neo Georgian

“Simplicity is the ultimate sophistication”, Leonardo Da Vinci”. The stylish but straightforward Neo Georgian column cast iron radiator echoes back to the era of the early 1900s. The classic clean lines of this elegant design mean that it is well suited for either the modern or period home setting. With options of 2, 4 and even 6 column depths, the heat output per section is substantial. With its clean and elegant design, The Neo Georgian column cast iron radiator is a popular choice for homes that were built during the Arts and Crafts era, which influenced Britain until the 1930s.

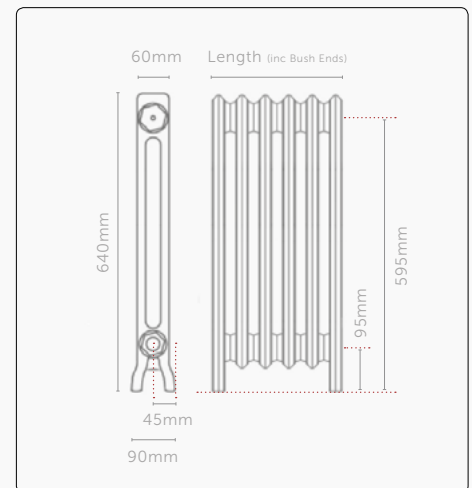
**COLUMNS**      **HEIGHT** (Please select your required height to view heat output and specifications)

**2**   **4**   **6**      490   **640**   740   1040

CODE	SECTIONS	LENGTH	OUTPUT		WEIGHT (KG)	WATER CONTENT (LTRs)
			75 / 65 / 20 BTUs	WATTS		
GEO2-640-03	3	208	471	138	10	1.44
GEO2-640-04	4	269	628	184	14	1.92
GEO2-640-05	5	330	785	230	17	2.40
GEO2-640-06	6	391	942	276	21	2.88
GEO2-640-07	7	452	1099	322	24	3.36
GEO2-640-08	8	512	1256	368	27	3.84
GEO2-640-09	9	573	1413	414	31	4.32
GEO2-640-10	10	634	1570	460	34	4.80
GEO2-640-11	11	695	1726	506	38	5.28
GEO2-640-12	12	756	1883	552	41	5.76
GEO2-640-13	13	816	2040	598	44	6.24
GEO2-640-14	14	877	2197	644	48	6.72
GEO2-640-15	15	938	2354	690	51	7.20
GEO2-640-16	16	999	2511	736	55	7.68
GEO2-640-17	17	1060	2668	782	58	8.16
GEO2-640-18	18	1120	2825	828	61	8.64
GEO2-640-19	19	1181	2982	874	65	9.12
GEO2-640-20	20	1242	3139	920	68	9.60
GEO2-640-21	21	1303	3296	966	72	10.08
GEO2-640-22	22	1364	3453	1012	75	10.56
GEO2-640-23	23	1424	3610	1058	78	11.04
GEO2-640-24	24	1485	3767	1104	82	11.52
GEO2-640-25	25	1546	3924	1150	85	12.00
GEO2-640-26	26	1607	4081	1196	89	12.48
GEO2-640-27	27	1668	4238	1242	92	12.96
GEO2-640-28	28	1728	4395	1288	96	13.44
GEO2-640-29	29	1789	4552	1334	99	13.92
GEO2-640-30	30	1850	4709	1380	102	14.40
GEO2-640-31	31	1911	4866	1426	106	14.88
GEO2-640-32	32	1972	5022	1472	109	15.36
GEO2-640-33	33	2032	5179	1518	113	15.84
GEO2-640-34	34	2093	5336	1564	116	16.32
GEO2-640-35	35	2154	5493	1610	119	16.80
GEO2-640-36	36	2215	5650	1656	123	17.28
GEO2-640-37	37	2276	5807	1702	126	17.76
GEO2-640-38	38	2336	5964	1748	130	18.24
GEO2-640-39	39	2397	6121	1794	133	18.72
GEO2-640-40	40	2458	6278	1840	136	19.20

Maximum test pressure = 7.8 bar | Maximum working pressure = 6.0 bar

Lengths quoted are given in good faith. However, due to the nature of the manufacturing process tolerances can and should be expected. Quoted dimensions should therefore only be used as a guideline. Longer lengths are available on request.



Contact our  
scandinavian distributor:

[sales@agentur-huset.com](mailto:sales@agentur-huset.com)

[www.agentur-huset.com](http://www.agentur-huset.com)

Agenturhuset AB  
Garnisonsgatan 13  
SE-25466 Helsingborg

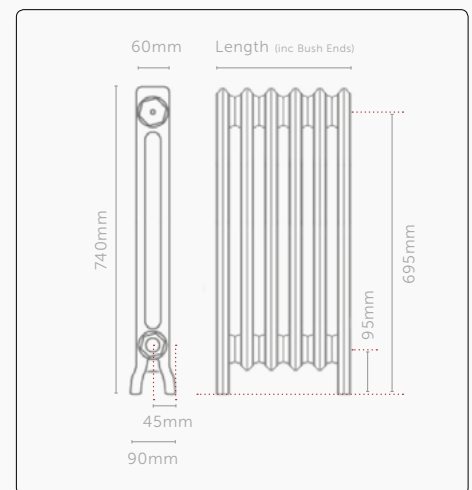
# Neo Georgian

“Simplicity is the ultimate sophistication”, Leonardo Da Vinci”. The stylish but straightforward Neo Georgian column cast iron radiator echoes back to the era of the early 1900s. The classic clean lines of this elegant design mean that it is well suited for either the modern or period home setting. With options of 2, 4 and even 6 column depths, the heat output per section is substantial. With its clean and elegant design, The Neo Georgian column cast iron radiator is a popular choice for homes that were built during the Arts and Crafts era, which influenced Britain until the 1930s.

**COLUMNS**      **HEIGHT** (Please select your required height to view heat output and specifications)

**2**   **4**   **6**      490   640   **740**   1040

CODE	SECTIONS	LENGTH	OUTPUT		WEIGHT (KG)	WATER CONTENT (LTRs)
			75 / 65 / 20 BTUs	WATTS		
GEO2-740-03	3	208	635	186	12	1.68
GEO2-740-04	4	269	846	248	15	2.24
GEO2-740-05	5	330	1058	310	19	2.80
GEO2-740-06	6	391	1269	372	23	3.36
GEO2-740-07	7	452	1481	434	27	3.92
GEO2-740-08	8	512	1692	496	31	4.48
GEO2-740-09	9	573	1904	558	34	5.04
GEO2-740-10	10	634	2115	620	38	5.60
GEO2-740-11	11	695	2327	682	42	6.16
GEO2-740-12	12	756	2539	744	46	6.72
GEO2-740-13	13	816	2750	806	50	7.28
GEO2-740-14	14	877	2962	868	54	7.84
GEO2-740-15	15	938	3173	930	57	8.40
GEO2-740-16	16	999	3385	992	61	8.96
GEO2-740-17	17	1060	3596	1054	65	9.52
GEO2-740-18	18	1120	3808	1116	69	10.08
GEO2-740-19	19	1181	4019	1178	73	10.64
GEO2-740-20	20	1242	4231	1240	76	11.20
GEO2-740-21	21	1303	4442	1302	80	11.76
GEO2-740-22	22	1364	4654	1364	84	12.32
GEO2-740-23	23	1424	4866	1426	88	12.88
GEO2-740-24	24	1485	5077	1488	92	13.44
GEO2-740-25	25	1546	5289	1550	96	14.00
GEO2-740-26	26	1607	5500	1612	99	14.56
GEO2-740-27	27	1668	5712	1674	103	15.12
GEO2-740-28	28	1728	5923	1736	107	15.68
GEO2-740-29	29	1789	6135	1798	111	16.24
GEO2-740-30	30	1850	6346	1860	115	16.80
GEO2-740-31	31	1911	6558	1922	118	17.36
GEO2-740-32	32	1972	6769	1984	122	17.92
GEO2-740-33	33	2032	6981	2046	126	18.48
GEO2-740-34	34	2093	7192	2108	130	19.04
GEO2-740-35	35	2154	7404	2170	134	19.60
GEO2-740-36	36	2215	7616	2232	138	20.16
GEO2-740-37	37	2276	7827	2294	141	20.72
GEO2-740-38	38	2336	8039	2356	145	21.28
GEO2-740-39	39	2397	8250	2418	149	21.84
GEO2-740-40	40	2458	6278	1840	136	19.20



Maximum test pressure = 7.8 bar | Maximum working pressure = 6.0 bar

Lengths quoted are given in good faith. However, due to the nature of the manufacturing process tolerances can and should be expected. Quoted dimensions should therefore only be used as a guideline. Longer lengths are available on request.

Contact our  
scandinavian distributor:  
sales@agentur-huset.com  
www.agentur-huset.com

Agenturhuset AB  
Garnisonsgatan 13  
SE-25466 Helsingborg

# Neo Georgian

“Simplicity is the ultimate sophistication”, Leonardo Da Vinci”. The stylish but straightforward Neo Georgian column cast iron radiator echoes back to the era of the early 1900s. The classic clean lines of this elegant design mean that it is well suited for either the modern or period home setting. With options of 2, 4 and even 6 column depths, the heat output per section is substantial. With its clean and elegant design, The Neo Georgian column cast iron radiator is a popular choice for homes that were built during the Arts and Crafts era, which influenced Britain until the 1930s.

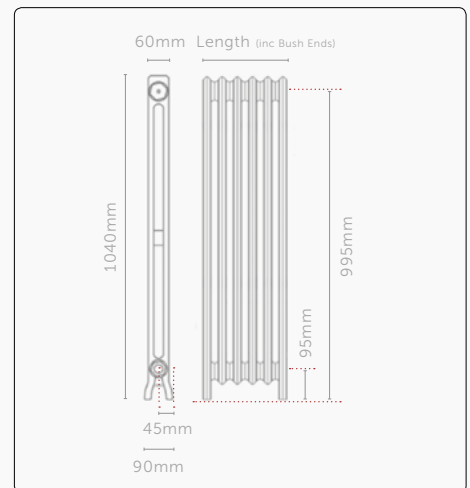
**COLUMNS**      **HEIGHT** (Please select your required height to view heat output and specifications)

**2**   **4**   **6**      490   640   740   **1040**

CODE	SECTIONS	LENGTH	OUTPUT		WEIGHT (KG)	WATER CONTENT (LTRs)
			75 / 65 / 20 BTUs	WATTS		
GEO2-1040-03	3	208	757	222	16	2.40
GEO2-1040-04	4	269	1010	296	21	3.20
GEO2-1040-05	5	330	1262	370	26	4.00
GEO2-1040-06	6	391	1515	444	31	4.80
GEO2-1040-07	7	452	1767	518	36	5.60
GEO2-1040-08	8	512	2020	592	41	6.40
GEO2-1040-09	9	573	2272	666	46	7.20
GEO2-1040-10	10	634	2525	740	52	8.00
GEO2-1040-11	11	695	2777	814	57	8.80
GEO2-1040-12	12	756	3030	888	62	9.60
GEO2-1040-13	13	816	3282	962	67	10.40
GEO2-1040-14	14	877	3535	1036	72	11.20
GEO2-1040-15	15	938	378	111	77	12.00
GEO2-1040-16	16	999	4040	1184	82	12.80
GEO2-1040-17	17	1060	4292	1258	88	13.60
GEO2-1040-18	18	1120	4545	1332	93	14.40
GEO2-1040-19	19	1181	4797	1406	98	15.20
GEO2-1040-20	20	1242	5050	1480	103	16.00
GEO2-1040-21	21	1303	5302	1554	108	16.80
GEO2-1040-22	22	1364	5555	1628	113	17.60
GEO2-1040-23	23	1424	5807	1702	119	18.40
GEO2-1040-24	24	1485	6060	1776	124	19.20
GEO2-1040-25	25	1546	6312	1850	129	20.00
GEO2-1040-26	26	1607	6565	1924	134	20.80
GEO2-1040-27	27	1668	6817	1998	139	21.60
GEO2-1040-28	28	1728	7070	2072	144	22.40
GEO2-1040-29	29	1789	7322	2146	149	23.20
GEO2-1040-30	30	1850	7575	2220	155	24.00
GEO2-1040-31	31	1911	7827	2294	160	24.80
GEO2-1040-32	32	1972	8080	2368	165	25.60
GEO2-1040-33	33	2032	8332	2442	170	26.40
GEO2-1040-34	34	2093	8585	2516	175	27.20
GEO2-1040-35	35	2154	8837	2590	180	28.00
GEO2-1040-36	36	2215	9090	2664	185	28.80
GEO2-1040-37	37	2276	9342	2738	191	29.60
GEO2-1040-38	38	2336	9595	2812	196	30.40
GEO2-1040-39	39	2397	9847	2886	201	31.20
GEO2-1040-40	40	2458	10100	2960	206	32.00

Maximum test pressure = 7.8 bar | Maximum working pressure = 6.0 bar

Lengths quoted are given in good faith. However, due to the nature of the manufacturing process tolerances can and should be expected. Quoted dimensions should therefore only be used as a guideline. Longer lengths are available on request.



Contact our  
scandinavian distributor:

[sales@agentur-huset.com](mailto:sales@agentur-huset.com)

[www.agentur-huset.com](http://www.agentur-huset.com)

Agenturhuset AB  
Garnisonsgatan 13  
SE-25466 Helsingborg

# Neo Georgian

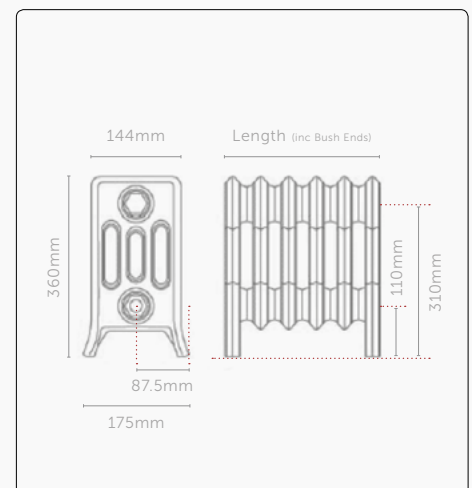
“Simplicity is the ultimate sophistication”, Leonardo Da Vinci”. The stylish but straightforward Neo Georgian column cast iron radiator echoes back to the era of the early 1900s. The classic clean lines of this elegant design mean that it is well suited for either the modern or period home setting. With options of 2, 4 and even 6 column depths, the heat output per section is substantial. With its clean and elegant design, The Neo Georgian column cast iron radiator is a popular choice for homes that were built during the Arts and Crafts era, which influenced Britain until the 1930s.



**COLUMNS**      **HEIGHT** (Please select your required height to view heat output and specifications)

2   4   6      **360**   475   660   760   960

CODE	SECTIONS	LENGTH	OUTPUT		WEIGHT (KG)	WATER CONTENT (LTRs)
			75 / 65 / 20 BTUs	WATTS		
GEO4-360-03	3	208	440	129	10	1.05
GEO4-360-04	4	269	587	172	14	1.40
GEO4-360-05	5	330	734	215	17	1.75
GEO4-360-06	6	391	880	258	21	2.10
GEO4-360-07	7	452	1027	301	24	2.45
GEO4-360-08	8	512	1174	344	28	2.80
GEO4-360-09	9	573	1320	387	31	3.15
GEO4-360-10	10	634	1467	430	34	3.50
GEO4-360-11	11	695	1614	473	38	3.85
GEO4-360-12	12	756	1761	516	41	4.20
GEO4-360-13	13	816	1907	559	45	4.55
GEO4-360-14	14	877	2054	602	48	4.90
GEO4-360-15	15	938	2201	645	52	5.25
GEO4-360-16	16	999	2347	688	55	5.60
GEO4-360-17	17	1060	2494	731	59	5.95
GEO4-360-18	18	1120	2641	774	62	6.30
GEO4-360-19	19	1181	2788	817	65	6.65
GEO4-360-20	20	1242	2934	860	69	7.00
GEO4-360-21	21	1303	3081	903	72	7.35
GEO4-360-22	22	1364	3228	946	76	7.70
GEO4-360-23	23	1424	3374	989	79	8.05
GEO4-360-24	24	1485	3521	1032	83	8.40
GEO4-360-25	25	1546	3668	1075	86	8.75
GEO4-360-26	26	1607	3815	1118	89	9.10
GEO4-360-27	27	1668	3961	1161	93	9.45
GEO4-360-28	28	1728	4108	1204	96	9.80
GEO4-360-29	29	1789	4255	1247	100	10.15
GEO4-360-30	30	1850	4401	1290	103	10.50
GEO4-360-31	31	1911	4548	1333	107	10.85
GEO4-360-32	32	1972	4695	1376	110	11.20
GEO4-360-33	33	2032	4842	1419	114	11.55
GEO4-360-34	34	2093	4988	1462	117	11.90
GEO4-360-35	35	2154	5135	1505	120	12.25
GEO4-360-36	36	2215	5282	1548	124	12.60
GEO4-360-37	37	2276	5428	1591	127	12.95
GEO4-360-38	38	2336	5575	1634	131	13.30
GEO4-360-39	39	2397	5722	1677	134	13.65
GEO4-360-40	40	2458	5869	1720	138	14.00



Contact our  
scandinavian distributor:  
[sales@agentur-huset.com](mailto:sales@agentur-huset.com)  
[www.agentur-huset.com](http://www.agentur-huset.com)

Maximum test pressure = 7.8 bar | Maximum working pressure = 6.0 bar

Lengths quoted are given in good faith. However, due to the nature of the manufacturing process tolerances can and should be expected. Quoted dimensions should therefore only be used as a guideline. Longer lengths are available on request.

Agenturhuset AB  
Garnisonsgatan 13  
SE-25466 Helsingborg

# Neo Georgian

“Simplicity is the ultimate sophistication”, Leonardo Da Vinci”. The stylish but straightforward Neo Georgian column cast iron radiator echoes back to the era of the early 1900s. The classic clean lines of this elegant design mean that it is well suited for either the modern or period home setting. With options of 2, 4 and even 6 column depths, the heat output per section is substantial. With its clean and elegant design, The Neo Georgian column cast iron radiator is a popular choice for homes that were built during the Arts and Crafts era, which influenced Britain until the 1930s.

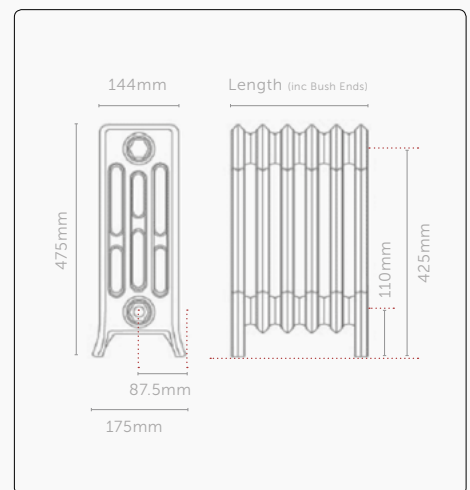
**COLUMNS**      **HEIGHT** (Please select your required height to view heat output and specifications)

2   4   6      360   **475**   660   760   960

CODE	SECTIONS	LENGTH	OUTPUT		WEIGHT (KG)	WATER CONTENT (LTRs)
			75 / 65 / 20 BTUs	WATTS		
GEO4-475-03	3	208	665	195	13	1.53
GEO4-475-04	4	269	887	260	17	2.04
GEO4-475-05	5	330	1109	325	21	2.55
GEO4-475-06	6	391	1331	390	25	3.06
GEO4-475-07	7	452	1552	455	29	3.57
GEO4-475-08	8	512	1774	520	34	4.08
GEO4-475-09	9	573	1996	585	38	4.59
GEO4-475-10	10	634	2218	650	42	5.10
GEO4-475-11	11	695	2440	715	46	5.61
GEO4-475-12	12	756	2661	780	50	6.12
GEO4-475-13	13	816	2883	845	55	6.63
GEO4-475-14	14	877	3105	910	59	7.14
GEO4-475-15	15	938	3327	975	63	7.65
GEO4-475-16	16	999	3548	1040	67	8.16
GEO4-475-17	17	1060	3770	1105	71	8.67
GEO4-475-18	18	1120	3992	1170	75	9.18
GEO4-475-19	19	1181	4214	1235	80	9.69
GEO4-475-20	20	1242	4436	1300	84	10.20
GEO4-475-21	21	1303	4657	1365	88	10.71
GEO4-475-22	22	1364	4879	1430	92	11.22
GEO4-475-23	23	1424	5101	1495	96	11.73
GEO4-475-24	24	1485	5323	1560	101	12.24
GEO4-475-25	25	1546	5545	1625	105	12.75
GEO4-475-26	26	1607	5766	1690	109	13.26
GEO4-475-27	27	1668	5988	1755	113	13.77
GEO4-475-28	28	1728	6210	1820	117	14.28
GEO4-475-29	29	1789	6432	1885	122	14.79
GEO4-475-30	30	1850	6653	1950	126	15.30
GEO4-475-31	31	1911	6875	2015	130	15.81
GEO4-475-32	32	1972	7097	2080	134	16.32
GEO4-475-33	33	2032	7319	2145	138	16.83
GEO4-475-34	34	2093	7541	2210	143	17.34
GEO4-475-35	35	2154	7762	2275	147	17.85
GEO4-475-36	36	2215	7984	2340	151	18.36
GEO4-475-37	37	2276	8206	2405	155	18.87
GEO4-475-38	38	2336	8428	2470	159	19.38
GEO4-475-39	39	2397	8649	2535	163	19.89
GEO4-475-40	40	2458	8871	2600	168	20.40

Maximum test pressure = 7.8 bar | Maximum working pressure = 6.0 bar

Lengths quoted are given in good faith. However, due to the nature of the manufacturing process tolerances can and should be expected. Quoted dimensions should therefore only be used as a guideline. Longer lengths are available on request.



Contact our  
scandinavian distributor:

[sales@agentur-huset.com](mailto:sales@agentur-huset.com)

[www.agentur-huset.com](http://www.agentur-huset.com)

Agenturhuset AB  
Garnisonsgatan 13  
SE-25466 Helsingborg

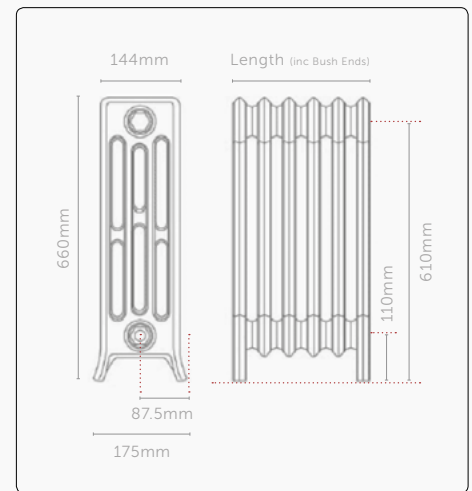
# Neo Georgian

“Simplicity is the ultimate sophistication”, Leonardo Da Vinci”. The stylish but straightforward Neo Georgian column cast iron radiator echoes back to the era of the early 1900s. The classic clean lines of this elegant design mean that it is well suited for either the modern or period home setting. With options of 2, 4 and even 6 column depths, the heat output per section is substantial. With its clean and elegant design, The Neo Georgian column cast iron radiator is a popular choice for homes that were built during the Arts and Crafts era, which influenced Britain until the 1930s.

**COLUMNS**      **HEIGHT** (Please select your required height to view heat output and specifications)

2   4   6      360   475   **660**   760   960

CODE	SECTIONS	LENGTH	OUTPUT		WEIGHT (KG)	WATER CONTENT (LTRs)
			75 / 65 / 20 BTUs	WATTS		
GEO4-660-03	3	208	952	279	17	2.55
GEO4-660-04	4	269	1269	372	22	3.40
GEO4-660-05	5	330	1587	465	28	4.25
GEO4-660-06	6	391	1904	558	33	5.10
GEO4-660-07	7	452	2221	651	39	5.95
GEO4-660-08	8	512	2539	744	44	6.80
GEO4-660-09	9	573	2856	837	50	7.65
GEO4-660-10	10	634	3173	930	56	8.50
GEO4-660-11	11	695	3490	1023	61	9.35
GEO4-660-12	12	756	3808	1116	67	10.20
GEO4-660-13	13	816	4125	1209	72	11.05
GEO4-660-14	14	877	4442	1302	78	11.90
GEO4-660-15	15	938	4760	1395	83	12.75
GEO4-660-16	16	999	5077	1488	89	13.60
GEO4-660-17	17	1060	5394	1581	94	14.45
GEO4-660-18	18	1120	5712	1674	100	15.30
GEO4-660-19	19	1181	6029	1767	106	16.15
GEO4-660-20	20	1242	6346	1860	111	17.00
GEO4-660-21	21	1303	6664	1953	117	17.85
GEO4-660-22	22	1364	6981	2046	122	18.70
GEO4-660-23	23	1424	7298	2139	128	19.55
GEO4-660-24	24	1485	7616	2232	133	20.40
GEO4-660-25	25	1546	7933	2325	139	21.25
GEO4-660-26	26	1607	8250	2418	144	22.10
GEO4-660-27	27	1668	8568	2511	150	22.95
GEO4-660-28	28	1728	8885	2604	155	23.80
GEO4-660-29	29	1789	9202	2697	161	24.65
GEO4-660-30	30	1850	9519	2790	167	25.50
GEO4-660-31	31	1911	9837	2883	172	26.35
GEO4-660-32	32	1972	10154	2976	178	27.20
GEO4-660-33	33	2032	10471	3069	183	28.05
GEO4-660-34	34	2093	10789	3162	189	28.90
GEO4-660-35	35	2154	11106	3255	194	29.75
GEO4-660-36	36	2215	11423	3348	200	30.60
GEO4-660-37	37	2276	11741	3441	205	31.45
GEO4-660-38	38	2336	12058	3534	211	32.30
GEO4-660-39	39	2397	12375	3627	217	33.15
GEO4-660-40	40	2458	12693	3720	222	34.00



Contact our  
scandinavian distributor:

[sales@agentur-huset.com](mailto:sales@agentur-huset.com)

[www.agentur-huset.com](http://www.agentur-huset.com)

Agenturhuset AB  
Garnisonsgatan 13  
SE-25466 Helsingborg

Maximum test pressure = 7.8 bar | Maximum working pressure = 6.0 bar

Lengths quoted are given in good faith. However, due to the nature of the manufacturing process tolerances can and should be expected. Quoted dimensions should therefore only be used as a guideline. Longer lengths are available on request.

# Neo Georgian

“Simplicity is the ultimate sophistication”, Leonardo Da Vinci”. The stylish but straightforward Neo Georgian column cast iron radiator echoes back to the era of the early 1900s. The classic clean lines of this elegant design mean that it is well suited for either the modern or period home setting. With options of 2, 4 and even 6 column depths, the heat output per section is substantial. With its clean and elegant design, The Neo Georgian column cast iron radiator is a popular choice for homes that were built during the Arts and Crafts era, which influenced Britain until the 1930s.

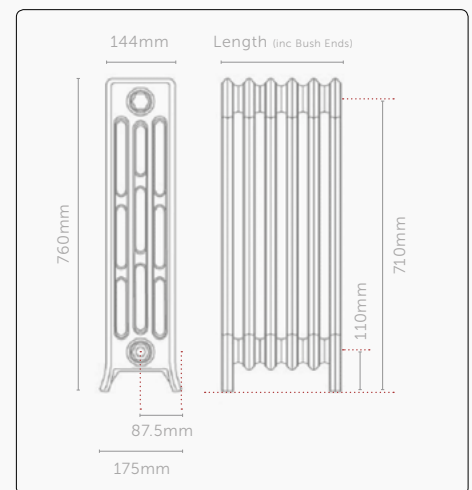
**COLUMNS**      **HEIGHT** (Please select your required height to view heat output and specifications)

2   4   6      360   475   660   **760**   960

CODE	SECTIONS	LENGTH	OUTPUT		WEIGHT (KG)	WATER CONTENT (LTRs)
			75 / 65 / 20 BTUs	WATTS		
GEO4-760-03	3	208	1105	324	19	2.55
GEO4-760-04	4	269	1474	432	25	3.40
GEO4-760-05	5	330	1842	540	31	4.25
GEO4-760-06	6	391	2211	648	37	5.10
GEO4-760-07	7	452	2579	756	44	5.95
GEO4-760-08	8	512	2948	864	50	6.80
GEO4-760-09	9	573	3316	972	56	7.65
GEO4-760-10	10	634	3685	1080	62	8.50
GEO4-760-11	11	695	4053	1188	68	9.35
GEO4-760-12	12	756	4422	1296	75	10.20
GEO4-760-13	13	816	4790	1404	81	11.05
GEO4-760-14	14	877	5159	1512	87	11.90
GEO4-760-15	15	938	5527	1620	93	12.75
GEO4-760-16	16	999	5896	1728	100	13.60
GEO4-760-17	17	1060	6264	1836	106	14.45
GEO4-760-18	18	1120	6633	1944	112	15.30
GEO4-760-19	19	1181	7001	2052	118	16.15
GEO4-760-20	20	1242	7370	2160	124	17.00
GEO4-760-21	21	1303	7738	2268	131	17.85
GEO4-760-22	22	1364	8107	2376	137	18.70
GEO4-760-23	23	1424	8475	2484	143	19.55
GEO4-760-24	24	1485	8844	2592	149	20.40
GEO4-760-25	25	1546	9212	2700	156	21.25
GEO4-760-26	26	1607	9581	2808	162	22.10
GEO4-760-27	27	1668	9949	2916	168	22.95
GEO4-760-28	28	1728	10318	3024	174	23.80
GEO4-760-29	29	1789	10686	3132	180	24.65
GEO4-760-30	30	1850	11055	3240	187	25.50
GEO4-760-31	31	1911	11423	3348	193	26.35
GEO4-760-32	32	1972	11792	3456	199	27.20
GEO4-760-33	33	2032	12160	3564	205	28.05
GEO4-760-34	34	2093	12529	3672	211	28.90
GEO4-760-35	35	2154	12897	3780	218	29.75
GEO4-760-36	36	2215	13266	3888	224	30.60
GEO4-760-37	37	2276	13634	3996	230	31.45
GEO4-760-38	38	2336	14003	4104	236	32.30
GEO4-760-39	39	2397	14371	4212	243	33.15
GEO4-760-40	40	2458	14740	4320	249	34.00

Maximum test pressure = 7.8 bar | Maximum working pressure = 6.0 bar

Lengths quoted are given in good faith. However, due to the nature of the manufacturing process tolerances can and should be expected. Quoted dimensions should therefore only be used as a guideline. Longer lengths are available on request.



Contact our  
scandinavian distributor:

[sales@agentur-huset.com](mailto:sales@agentur-huset.com)

[www.agentur-huset.com](http://www.agentur-huset.com)

Agenturhuset AB  
Garnisonsgatan 13  
SE-25466 Helsingborg



# Neo Georgian

“Simplicity is the ultimate sophistication”, Leonardo Da Vinci”. The stylish but straightforward Neo Georgian column cast iron radiator echoes back to the era of the early 1900s. The classic clean lines of this elegant design mean that it is well suited for either the modern or period home setting. With options of 2, 4 and even 6 column depths, the heat output per section is substantial. With its clean and elegant design, The Neo Georgian column cast iron radiator is a popular choice for homes that were built during the Arts and Crafts era, which influenced Britain until the 1930s.

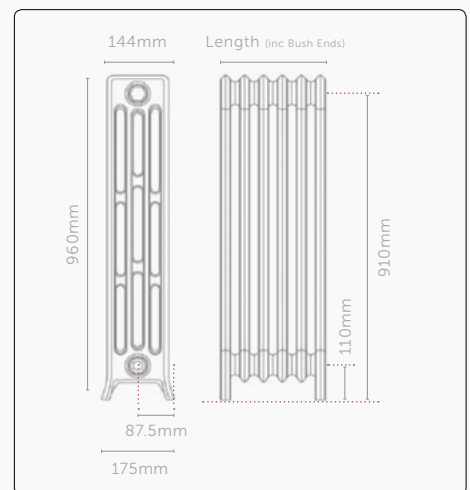
**COLUMNS**      **HEIGHT** (Please select your required height to view heat output and specifications)

2   4   6      360   475   660   760   **960**

CODE	SECTIONS	LENGTH	OUTPUT		WEIGHT (KG)	WATER CONTENT (LTRs)
			75 / 65 / 20 BTUs	WATTS		
GEO4-960-03	3	208	1423	417	24	3.30
GEO4-960-04	4	269	1897	556	31	4.40
GEO4-960-05	5	330	2371	695	39	5.50
GEO4-960-06	6	391	2846	834	47	6.60
GEO4-960-07	7	452	3320	973	55	7.70
GEO4-960-08	8	512	3794	1112	63	8.80
GEO4-960-09	9	573	4268	1251	71	9.90
GEO4-960-10	10	634	4743	1390	79	11.00
GEO4-960-11	11	695	5217	1529	86	12.10
GEO4-960-12	12	756	5691	1668	94	13.20
GEO4-960-13	13	816	6165	1807	102	14.30
GEO4-960-14	14	877	6640	1946	110	15.40
GEO4-960-15	15	938	7114	2085	118	16.50
GEO4-960-16	16	999	7588	2224	126	17.60
GEO4-960-17	17	1060	8063	2363	133	18.70
GEO4-960-18	18	1120	8537	2502	141	19.80
GEO4-960-19	19	1181	9011	2641	149	20.90
GEO4-960-20	20	1242	9485	2780	157	22.00
GEO4-960-21	21	1303	9960	2919	165	23.10
GEO4-960-22	22	1364	10434	3058	173	24.20
GEO4-960-23	23	1424	10908	3197	181	25.30
GEO4-960-24	24	1485	11382	3336	188	26.40
GEO4-960-25	25	1546	11857	3475	196	27.50
GEO4-960-26	26	1607	12331	3614	204	28.60
GEO4-960-27	27	1668	12805	3753	212	29.70
GEO4-960-28	28	1728	13280	3892	220	30.80
GEO4-960-29	29	1789	13754	4031	228	31.90
GEO4-960-30	30	1850	14228	4170	236	33.00
GEO4-960-31	31	1911	14702	4309	243	34.10
GEO4-960-32	32	1972	15177	4448	251	35.20
GEO4-960-33	33	2032	15651	4587	259	36.30
GEO4-960-34	34	2093	16125	4726	267	37.40
GEO4-960-35	35	2154	16599	4865	275	38.50
GEO4-960-36	36	2215	17074	5004	283	39.60
GEO4-960-37	37	2276	17548	5143	290	40.70
GEO4-960-38	38	2336	18022	5282	298	41.80
GEO4-960-39	39	2397	18496	5421	306	42.90
GEO4-960-40	40	2458	18971	5560	314	44.00

Maximum test pressure = 7.8 bar | Maximum working pressure = 6.0 bar

Lengths quoted are given in good faith. However, due to the nature of the manufacturing process tolerances can and should be expected. Quoted dimensions should therefore only be used as a guideline. Longer lengths are available on request.



Contact our  
scandinavian distributor:

[sales@agentur-huset.com](mailto:sales@agentur-huset.com)

[www.agentur-huset.com](http://www.agentur-huset.com)

Agenturhuset AB  
Garnisonsgatan 13  
SE-25466 Helsingborg

# Neo Georgian

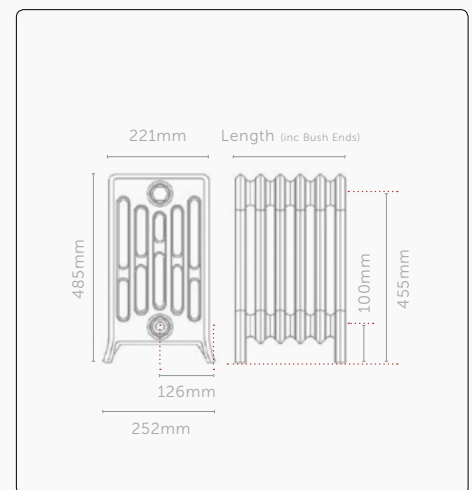
“Simplicity is the ultimate sophistication”, Leonardo Da Vinci”. The stylish but straightforward Neo Georgian column cast iron radiator echoes back to the era of the early 1900s. The classic clean lines of this elegant design mean that it is well suited for either the modern or period home setting. With options of 2, 4 and even 6 column depths, the heat output per section is substantial. With its clean and elegant design, The Neo Georgian column cast iron radiator is a popular choice for homes that were built during the Arts and Crafts era, which influenced Britain until the 1930s.

**COLUMNS**      **HEIGHT** (Please select your required height to view heat output and specifications)

**2**   **4**   **6**      **485**   660   960



CODE	SECTIONS	LENGTH	OUTPUT		WEIGHT (KG)	WATER CONTENT (LTRs)
			75 / 65 / 20 BTUs	WATTS		
GEO6-485-03	3	208	972	285	25	3.60
GEO6-485-04	4	269	1297	380	33	4.80
GEO6-485-05	5	330	1621	475	42	6.00
GEO6-485-06	6	391	1945	570	50	7.20
GEO6-485-07	7	452	2269	665	58	8.40
GEO6-485-08	8	512	2593	760	67	9.60
GEO6-485-09	9	573	2917	855	75	10.80
GEO6-485-10	10	634	3241	950	84	12.00
GEO6-485-11	11	695	3566	1045	92	13.20
GEO6-485-12	12	756	3890	1140	100	14.40
GEO6-485-13	13	816	4214	1235	109	15.60
GEO6-485-14	14	877	4538	1330	117	16.80
GEO6-485-15	15	938	4862	1425	125	18.00
GEO6-485-16	16	999	5186	1520	134	19.20
GEO6-485-17	17	1060	5510	1615	142	20.40
GEO6-485-18	18	1120	5835	1710	150	21.60
GEO6-485-19	19	1181	6159	1805	159	22.80
GEO6-485-20	20	1242	6483	1900	167	24.00
GEO6-485-21	21	1303	6807	1995	175	25.20
GEO6-485-22	22	1364	7131	2090	184	26.40
GEO6-485-23	23	1424	7455	2185	192	27.60
GEO6-485-24	24	1485	7779	2280	200	28.80
GEO6-485-25	25	1546	8104	2375	209	30.00
GEO6-485-26	26	1607	8428	2470	217	31.20
GEO6-485-27	27	1668	8752	2565	225	32.40
GEO6-485-28	28	1728	9076	2660	234	33.60
GEO6-485-29	29	1789	9400	2755	242	34.80
GEO6-485-30	30	1850	9724	2850	251	36.00
GEO6-485-31	31	1911	10048	2945	259	37.20
GEO6-485-32	32	1972	10372	3040	267	38.40
GEO6-485-33	33	2032	10697	3135	276	39.60
GEO6-485-34	34	2093	11021	3230	284	40.80
GEO6-485-35	35	2154	11345	3325	292	42.00
GEO6-485-36	36	2215	11669	3420	301	43.20
GEO6-485-37	37	2276	11993	3515	309	44.40
GEO6-485-38	38	2336	12317	3610	317	45.60
GEO6-485-39	39	2397	12641	3705	326	46.80
GEO6-485-40	40	2458	12966	3800	334	48.00



Maximum test pressure = 7.8 bar | Maximum working pressure = 6.0 bar

Lengths quoted are given in good faith. However, due to the nature of the manufacturing process tolerances can and should be expected. Quoted dimensions should therefore only be used as a guideline. Longer lengths are available on request.

Contact our  
scandinavian distributor:  
sales@agentur-huset.com  
www.agentur-huset.com

Agenturhuset AB  
Garnisonsgatan 13  
SE-25466 Helsingborg

# Neo Georgian

“Simplicity is the ultimate sophistication”, Leonardo Da Vinci”. The stylish but straightforward Neo Georgian column cast iron radiator echoes back to the era of the early 1900s. The classic clean lines of this elegant design mean that it is well suited for either the modern or period home setting. With options of 2, 4 and even 6 column depths, the heat output per section is substantial. With its clean and elegant design, The Neo Georgian column cast iron radiator is a popular choice for homes that were built during the Arts and Crafts era, which influenced Britain until the 1930s.

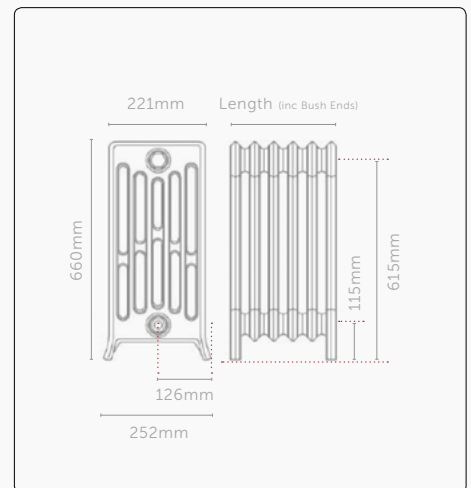
**COLUMNS**      **HEIGHT** (Please select your required height to view heat output and specifications)

**2**   **4**   **6**      **485**   **660**   **960**

CODE	SECTIONS	LENGTH	OUTPUT		WEIGHT (KG)	WATER CONTENT (LTRs)
			75 / 65 / 20 BTUs	WATTS		
GEO6-660-03	3	208	1361	399	29	4.20
GEO6-660-04	4	269	1815	532	38	5.60
GEO6-660-05	5	330	2269	665	48	7.00
GEO6-660-06	6	391	2723	798	58	8.40
GEO6-660-07	7	452	3177	931	67	9.80
GEO6-660-08	8	512	3630	1064	77	11.20
GEO6-660-09	9	573	4084	1197	86	12.60
GEO6-660-10	10	634	4538	1330	96	14.00
GEO6-660-11	11	695	4992	1463	105	15.40
GEO6-660-12	12	756	5446	1596	115	16.80
GEO6-660-13	13	816	5899	1729	125	18.20
GEO6-660-14	14	877	6353	1862	134	19.60
GEO6-660-15	15	938	6807	1995	144	21.00
GEO6-660-16	16	999	7261	2128	153	22.40
GEO6-660-17	17	1060	7715	2261	163	23.80
GEO6-660-18	18	1120	8168	2394	173	25.20
GEO6-660-19	19	1181	8622	2527	182	26.60
GEO6-660-20	20	1242	9076	2660	192	28.00
GEO6-660-21	21	1303	9530	2793	201	29.40
GEO6-660-22	22	1364	9984	2926	211	30.80
GEO6-660-23	23	1424	10437	3059	221	32.20
GEO6-660-24	24	1485	10891	3192	230	33.60
GEO6-660-25	25	1546	11345	3325	240	35.00
GEO6-660-26	26	1607	11799	3458	249	36.40
GEO6-660-27	27	1668	12252	3591	259	37.80
GEO6-660-28	28	1728	12706	3724	269	39.20
GEO6-660-29	29	1789	13160	3857	278	40.60
GEO6-660-30	30	1850	13614	3990	288	42.00
GEO6-660-31	31	1911	14068	4123	297	43.40
GEO6-660-32	32	1972	14521	4256	307	44.80
GEO6-660-33	33	2032	14975	4389	316	46.20
GEO6-660-34	34	2093	15429	4522	326	47.60
GEO6-660-35	35	2154	15883	4655	336	49.00
GEO6-660-36	36	2215	16337	4788	345	50.40
GEO6-660-37	37	2276	16790	4921	355	51.80
GEO6-660-38	38	2336	17244	5054	364	53.20
GEO6-660-39	39	2397	17698	5187	374	54.60
GEO6-660-40	40	2458	18152	5320	384	56.00

Maximum test pressure = 7.8 bar | Maximum working pressure = 6.0 bar

Lengths quoted are given in good faith. However, due to the nature of the manufacturing process tolerances can and should be expected. Quoted dimensions should therefore only be used as a guideline. Longer lengths are available on request.



Contact our  
scandinavian distributor:

[sales@agentur-huset.com](mailto:sales@agentur-huset.com)

[www.agentur-huset.com](http://www.agentur-huset.com)

Agenturhuset AB  
Garnisonsgatan 13  
SE-25466 Helsingborg

# Neo Georgian

“Simplicity is the ultimate sophistication”, Leonardo Da Vinci”. The stylish but straightforward Neo Georgian column cast iron radiator echoes back to the era of the early 1900s. The classic clean lines of this elegant design mean that it is well suited for either the modern or period home setting. With options of 2, 4 and even 6 column depths, the heat output per section is substantial. With its clean and elegant design, The Neo Georgian column cast iron radiator is a popular choice for homes that were built during the Arts and Crafts era, which influenced Britain until the 1930s.

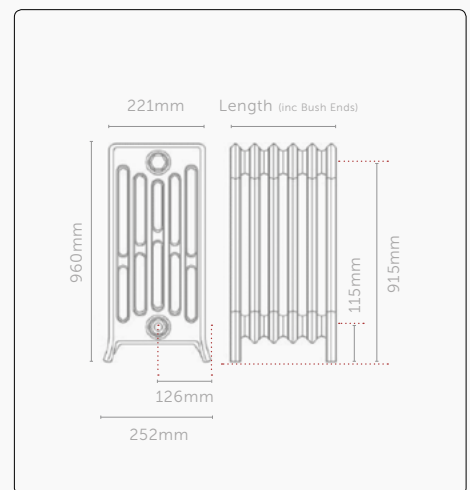
**COLUMNS**      **HEIGHT** (Please select your required height to view heat output and specifications)

**2**   **4**   **6**      485   660   **960**

CODE	SECTIONS	LENGTH	OUTPUT		WEIGHT (KG)	WATER CONTENT (LTRs)
			75 / 65 / 20 BTUs	WATTS		
GEO6-960-03	3	208	2016	591	37	4.80
GEO6-960-04	4	269	2689	788	49	6.40
GEO6-960-05	5	330	3361	985	61	8.00
GEO6-960-06	6	391	4033	1182	74	9.60
GEO6-960-07	7	452	4705	1379	86	11.20
GEO6-960-08	8	512	5377	1576	98	12.80
GEO6-960-09	9	573	6049	1773	111	14.40
GEO6-960-10	10	634	6722	1970	123	16.00
GEO6-960-11	11	695	7394	2167	135	17.60
GEO6-960-12	12	756	8066	2364	147	19.20
GEO6-960-13	13	816	8738	2561	160	20.80
GEO6-960-14	14	877	9410	2758	172	22.40
GEO6-960-15	15	938	10082	2955	184	24.00
GEO6-960-16	16	999	10755	3152	196	25.60
GEO6-960-17	17	1060	11427	3349	209	27.20
GEO6-960-18	18	1120	12099	3546	221	28.80
GEO6-960-19	19	1181	12771	3743	233	30.40
GEO6-960-20	20	1242	13443	3940	246	32.00
GEO6-960-21	21	1303	14115	4137	258	33.60
GEO6-960-22	22	1364	14788	4334	270	35.20
GEO6-960-23	23	1424	15460	4531	282	36.80
GEO6-960-24	24	1485	16132	4728	295	38.40
GEO6-960-25	25	1546	16804	4925	307	40.00
GEO6-960-26	26	1607	17476	5122	319	41.60
GEO6-960-27	27	1668	18148	5319	332	43.20
GEO6-960-28	28	1728	18821	5516	344	44.80
GEO6-960-29	29	1789	19493	5713	356	46.40
GEO6-960-30	30	1850	20165	5910	368	48.00
GEO6-960-31	31	1911	20837	6107	381	49.60
GEO6-960-32	32	1972	21509	6304	393	51.20
GEO6-960-33	33	2032	22181	6501	405	52.80
GEO6-960-34	34	2093	22854	6698	418	54.40
GEO6-960-35	35	2154	23526	6895	430	56.00
GEO6-960-36	36	2215	24198	7092	442	57.60
GEO6-960-37	37	2276	24870	7289	454	59.20
GEO6-960-38	38	2336	25542	7486	467	60.80
GEO6-960-39	39	2397	26214	7683	479	62.40
GEO6-960-40	40	2458	26887	7880	491	64.00

Maximum test pressure = 7.8 bar | Maximum working pressure = 6.0 bar

Lengths quoted are given in good faith. However, due to the nature of the manufacturing process tolerances can and should be expected. Quoted dimensions should therefore only be used as a guideline. Longer lengths are available on request.



Contact our  
scandinavian distributor:

[sales@agentur-huset.com](mailto:sales@agentur-huset.com)

[www.agentur-huset.com](http://www.agentur-huset.com)

Agenturhuset AB  
Garnisonsgatan 13  
SE-25466 Helsingborg