

2021-09-06

HERCULES S

BY SWEDEN

STRIHL®



ANVÄNDNINGS- OMRÅDEN

- Motorvägar
- Huvudleder
- Mindre vägar
- Väggkorsningar
- Lokalgator och GC-vägar.

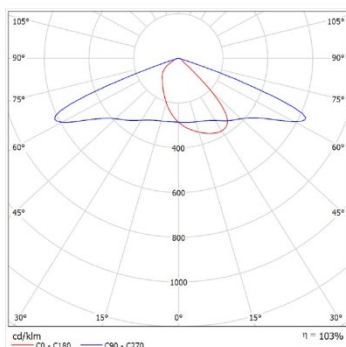
Optik: Linser
Material: Aluminum
Ljuskälla: LED

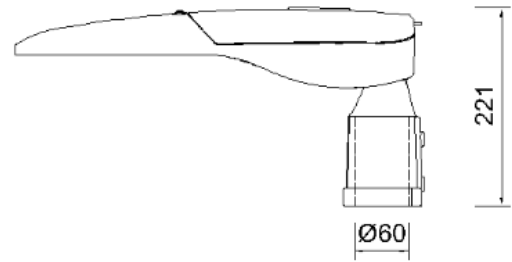
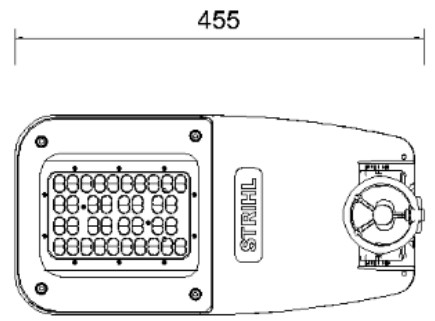
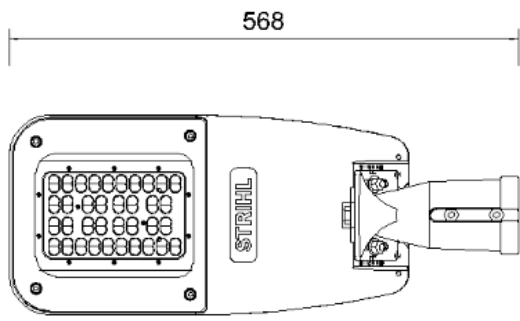
Specifikation

Vikt: 4,1 - 4,3kg
Täthetsklass IP66
Vandalklass IK09
Elsäkerhetsklass EU, or II EU

SPECIFIKATION

Certifierad:	ENEC EN 60598-1:2015+A1 EN 60598-2-3:2003+A1 EN 62493:2015
Framtidssäkrad med automatiserat underhåll: Ljuskälla:	Nej, ej kompatibel med SSMS robotunderhåll High lumen multichip LEDs,
Överspänninsskydd, Transientskydd:	4kV alt. 10kV Dubbelt utökat skydd 4kV + 10kV som tillval. Även 8kV och 10kV finns
Programmerbar version:	Inventronics EBS-series, 0-10V, DALI
Ej programmerbara versioner:	Fasta raka drivers 20W,, 32W, 45W,
Ljusutbyte:	4000K 110-170 lm/W (Beroende på konfiguration) 3000K 100-135 lm/W (Beroende på konfiguration)
Korrelerad färgtemperatur: Färgåtergivningindex: SDCM:	4000K som standard. Andra finns på begäran CRI70 <5
Bibehållet ljusflöde enligt L90: Bibehållet ljusflöde enligt L80: Bibehållet ljusflöde enligt L70:	100,000h 140,000h 175,000h
Temperaturintervall vid drift: Driver/LEDs underhåll: Nätspänning: EMC: Optik: Material: Vikt: Färg utbytbar armaturhus:	IESNA LM80 -40° till +55°C Byts med skruvmejsel 220-240 V AC/50-60 Hz Driver/armatur enligt EN55015,EN61000-2-3,EN61547 Linser Hela armaturhuset i högtryckspressgjuten aluminium 4,4 - 4,9kg Ljusgrå (RAL 7035)
Stolpfäste: Vinkeljustering: Rekommenderad montagehöjd: Lägsta montagehöjd: ScX: Förmonterad installationskabel	Ø38/60 eller Ø76 -15° till +15° 3m-20m beroende på effekt 3m (för att säkerställa fotobiologisk säkerhet) 0,0495m ² Ja





LICENCE FOR



ENEC LICENCE REF NO. SE-ENEC-2100071

Luminaire for road and street lighting with LED

Type Designation: Hercules S(I)

Licence Holder: STRIHL Scandinavia AB
Magasingatan 6B
434 37 Kungsbacka
SWEDEN

The product complies with the standard(s): EN 60598-1:2015+A1
EN 60598-2-3:2003+A1
EN 62493:2015

Licence holder is authorized to use the mark with the following limitations:

Date of expiry: 20 January, 2026

EU Directive information: According to the principle of presumption of conformity, this certificate constitutes support for an EC Declaration of Conformity and CE marking according to the Low Voltage Directive 2014/35/EU.

Certification Body: Intertek Semko AB, Product Certification **Place:** Kista - Stockholm

Signed:  **Date:** 20 January, 2021

Leif Mattsson

This Certificate is for the exclusive use of Intertek's client and is provided pursuant to the agreement between Intertek and its Client. Intertek's responsibility and liability are limited to the terms and conditions of the agreement. Intertek assumes no liability to any party, other than to the Client in accordance with the agreement, for any loss, expense or damage occasioned by the use of this Certificate. Only the Client is authorized to permit copying or distribution of this Certificate and then only in its entirety. Any use of the Intertek name or one of its marks for the sale or advertisement of the tested material, product or service must first be approved in writing by Intertek.

LICENCE FOR



ENEC LICENCE REF NO. SE-ENEC-2100070

Luminaire for road and street lighting with LED

Type Designation: Hercules S(II)

Licence Holder: STRIHL Scandinavia AB
Magasingatan 6B
434 37 Kungsbacka
SWEDEN

The product complies with the standard(s): EN 60598-1:2015+A1
EN 60598-2-3:2003+A1
EN 62493:2015

Licence holder is authorized to use the mark with the following limitations:

Date of expiry: 20 January, 2026

EU Directive information: According to the principle of presumption of conformity, this certificate constitutes support for an EC Declaration of Conformity and CE marking according to the Low Voltage Directive 2014/35/EU.

Certification Body: Intertek Semko AB, Product Certification **Place:** Kista - Stockholm

Signed:  **Date:** 20 January, 2021

Leif Mattsson

This Certificate is for the exclusive use of Intertek's client and is provided pursuant to the agreement between Intertek and its Client. Intertek's responsibility and liability are limited to the terms and conditions of the agreement. Intertek assumes no liability to any party, other than to the Client in accordance with the agreement, for any loss, expense or damage occasioned by the use of this Certificate. Only the Client is authorized to permit copying or distribution of this Certificate and then only in its entirety. Any use of the Intertek name or one of its marks for the sale or advertisement of the tested material, product or service must first be approved in writing by Intertek.

Certificate

Issued to Applicant STRIHL Scandinavia AB

Product type Product family LED Luminaire Hercules S

Zhaga hereby declares that the above-mentioned product has been certified on the basis of:
- a type test according to the Zhaga Book: Book 18
- a signed certification agreement

Zhaga hereby grants the right to use the Zhaga D4i certification



This certificate is issued on
07 July 2021

Certificate Number
ZG374107072021

Zhaga Consortium



Secretary General
Dee Denteneer

.....
© Integral publication of this certificate is allowed

The Zhaga Consortium, c/o IEEE-ISTO
attn. Rosalinda F. Saravia, 445 Hoes Lane
Piscataway, NJ 08854, USA
Tel: +1-732-562-5404