

Sloane

An Intricate elegant design, going back in time. The Sloane cast iron radiator design was first produced in America in the 1880's. It is famous for its finely etched features which gives rise to its name of the curly eared princess.

The elaborate yet sophisticated design of the Sloane provides a contemporary look for the more modern setting as well as a traditional look for the period home.

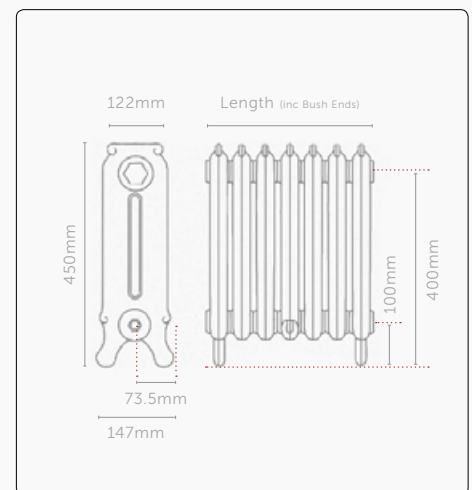
HEIGHT (Please select your required height to view heat output and specifications)

450 750

CODE	SECTIONS	LENGTH	OUTPUT		WEIGHT (KG)	WATER CONTENT (LTRs)
			75 / 65 / 20 BTUs	WATTS		
SLO-450-03	3	267	684	200	14	3.00
SLO-450-04	4	344	912	267	19	4.00
SLO-450-05	5	422	1140	334	24	5.00
SLO-450-06	6	500	1368	401	29	6.00
SLO-450-07	7	577	1596	468	33	7.00
SLO-450-08	8	655	1824	535	38	8.00
SLO-450-09	9	732	2052	601	43	9.00
SLO-450-10	10	810	2280	668	48	10.00
SLO-450-11	11	888	2508	735	52	11.00
SLO-450-12	12	965	2736	802	57	12.00
SLO-450-13	13	1043	2964	869	62	13.00
SLO-450-14	14	1120	3192	936	67	14.00
SLO-450-15	15	1198	3420	1002	71	15.00
SLO-450-16	16	1276	3648	1069	76	16.00
SLO-450-17	17	1353	3876	1136	81	17.00
SLO-450-18	18	1431	4104	1203	86	18.00
SLO-450-19	19	1508	4332	1270	90	19.00
SLO-450-20	20	1586	4560	1336	95	20.00
SLO-450-21	21	1664	4788	1403	100	21.00
SLO-450-22	22	1741	5016	1470	105	22.00
SLO-450-23	23	1819	5244	1537	110	23.00
SLO-450-24	24	1896	5472	1604	114	24.00
SLO-450-25	25	1974	5700	1671	119	25.00
SLO-450-26	26	2052	5928	1737	124	26.00
SLO-450-27	27	2129	6156	1804	129	27.00
SLO-450-28	28	2207	6384	1871	133	28.00
SLO-450-29	29	2284	6612	1938	138	29.00
SLO-450-30	30	2362	6840	2005	143	30.00
SLO-450-31	31	2440	7068	2072	148	31.00
SLO-450-32	32	2517	7296	2138	152	32.00
SLO-450-33	33	2595	7524	2205	157	33.00
SLO-450-34	34	2672	7752	2272	162	34.00
SLO-450-35	35	2750	7980	2339	167	35.00
SLO-450-36	36	2828	8208	2406	171	36.00
SLO-450-37	37	2905	8436	2472	176	37.00
SLO-450-38	38	2983	8664	2539	181	38.00
SLO-450-39	39	3060	8892	2606	186	39.00
SLO-450-40	40	3138	9120	2673	190	40.00

Maximum test pressure = 3.3 bar | Maximum working pressure = 2.5 bar

Lengths quoted are given in good faith. However, due to the nature of the manufacturing process tolerances can and should be expected. Quoted dimensions should therefore only be used as a guideline. Longer lengths are available on request.



Contact our
scandinavian distributor:

sales@agentur-huset.com

www.agentur-huset.com

Agenturhuset AB
Garnisonsgatan 13
SE-25466 Helsingborg

Sloane

An Intricate elegant design, going back in time. The Sloane cast iron radiator design was first produced in America in the 1880's. It is famous for its finely etched features which gives rise to its name of the curly eared princess.

The elaborate yet sophisticated design of the Sloane provides a contemporary look for the more modern setting as well as a traditional look for the period home.

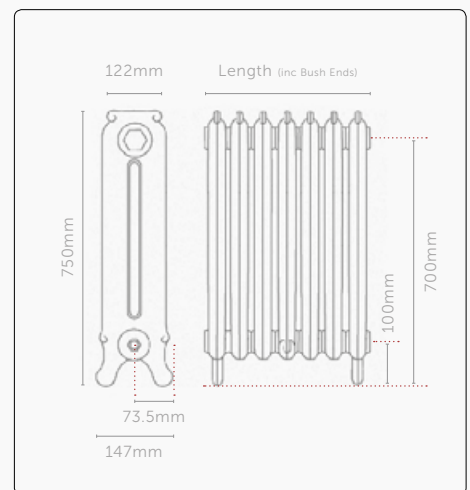
HEIGHT (Please select your required height to view heat output and specifications)

450 **750**

CODE	SECTIONS	LENGTH	OUTPUT		WEIGHT (KG)	WATER CONTENT (LTRs)
			75 / 65 / 20 BTUs	WATTS		
SLO-750-03	3	264	1005	295	28	5.10
SLO-750-04	4	340	1340	393	37	6.80
SLO-750-05	5	417	1675	491	47	8.50
SLO-750-06	6	494	2010	589	56	10.20
SLO-750-07	7	570	2345	687	66	11.90
SLO-750-08	8	647	2680	785	75	13.60
SLO-750-09	9	723	3015	884	84	15.30
SLO-750-10	10	800	3350	982	94	17.00
SLO-750-11	11	877	3685	1080	103	18.70
SLO-750-12	12	953	4020	1178	112	20.40
SLO-750-13	13	1030	4355	1276	122	22.10
SLO-750-14	14	1106	4690	1375	131	23.80
SLO-750-15	15	1183	5025	1473	140	25.50
SLO-750-16	16	1260	5360	1571	150	27.20
SLO-750-17	17	1336	5695	1669	159	28.90
SLO-750-18	18	1413	6030	1767	169	30.60
SLO-750-19	19	1489	6365	1865	178	32.30
SLO-750-20	20	1566	6700	1964	187	34.00
SLO-750-21	21	1643	7035	2062	197	35.70
SLO-750-22	22	1719	7370	2160	206	37.40
SLO-750-23	23	1796	7705	2258	215	39.10
SLO-750-24	24	1872	8040	2356	225	40.80
SLO-750-25	25	1949	8375	2455	234	42.50
SLO-750-26	26	2026	8710	2553	243	44.20
SLO-750-27	27	2102	9045	2651	253	45.90
SLO-750-28	28	2179	9380	2749	262	47.60
SLO-750-29	29	2255	9715	2847	271	49.30
SLO-750-30	30	2332	10050	2945	281	51.00
SLO-750-31	31	2409	10385	3044	290	52.70
SLO-750-32	32	2485	10720	3142	300	54.40
SLO-750-33	33	2562	11055	3240	309	56.10
SLO-750-34	34	2638	11390	3338	318	57.80
SLO-750-35	35	2715	11725	3436	328	59.50
SLO-750-36	36	2792	12060	3535	337	61.20
SLO-750-37	37	2868	12395	3633	346	62.90
SLO-750-38	38	2945	12730	3731	356	64.60
SLO-750-39	39	3021	13065	3829	365	66.30
SLO-750-40	40	3098	13400	3927	374	68.00

Maximum test pressure = 3.3 bar | Maximum working pressure = 2.5 bar

Lengths quoted are given in good faith. However, due to the nature of the manufacturing process tolerances can and should be expected. Quoted dimensions should therefore only be used as a guideline. Longer lengths are available on request.



Contact our
scandinavian distributor:

sales@agentur-huset.com

www.agentur-huset.com

Agenturhuset AB
Garnisonsgatan 13
SE-25466 Helsingborg